



Technical Data

Specification & Capacities



JF40

S.N: _____



7,6kW/10,2 HP



2,2 kW / 2,9 HP
4 kW / 5,3 HP



1,6 – 5,85 m



WINCH: 995kg
HOOK : 2500kg



EN 12999

[m] [kg]



JF40

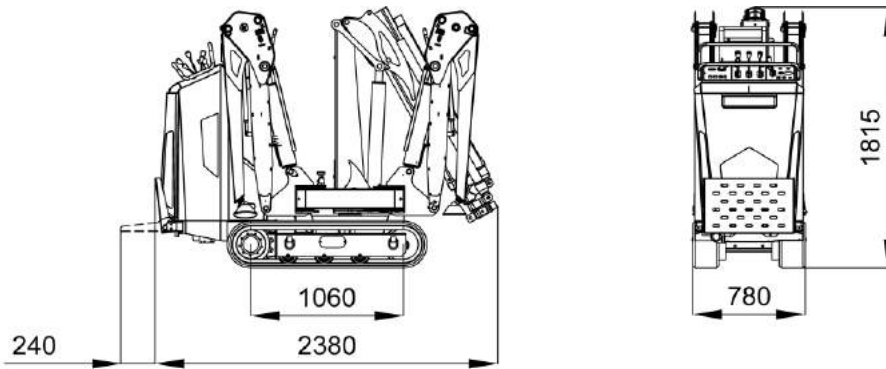


Via Campardone, 1
31014 Colle Umberto – Italy
Tel. +39 0438 1710083
Mail: info@jekko.it
Web: www.jekko.it

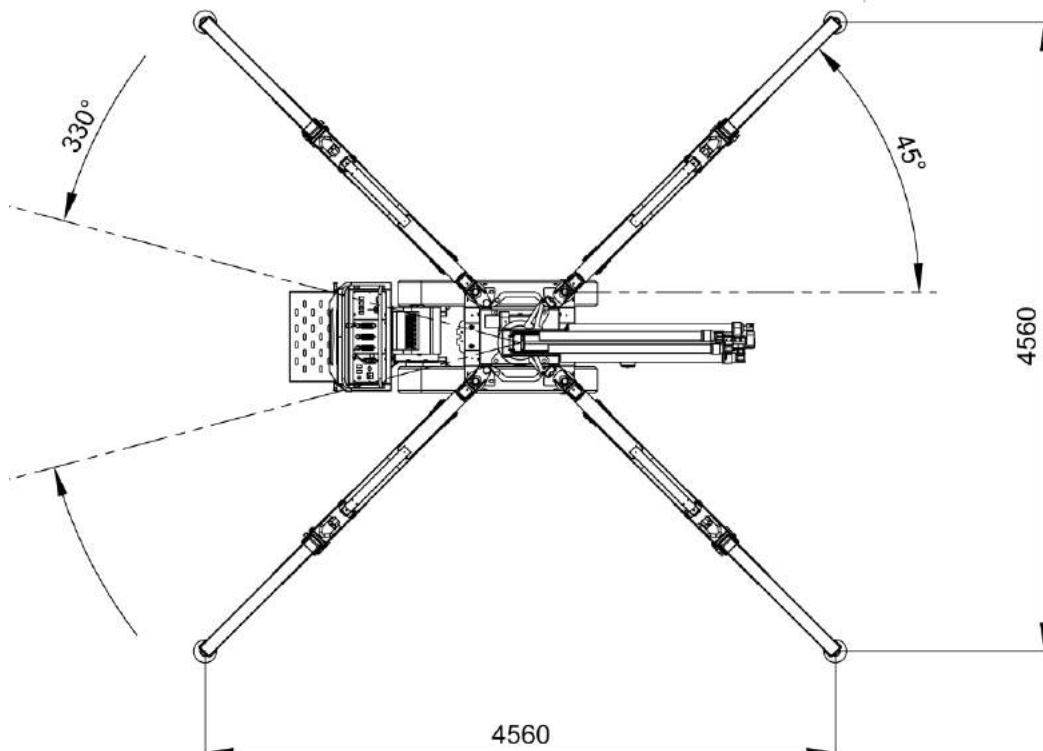
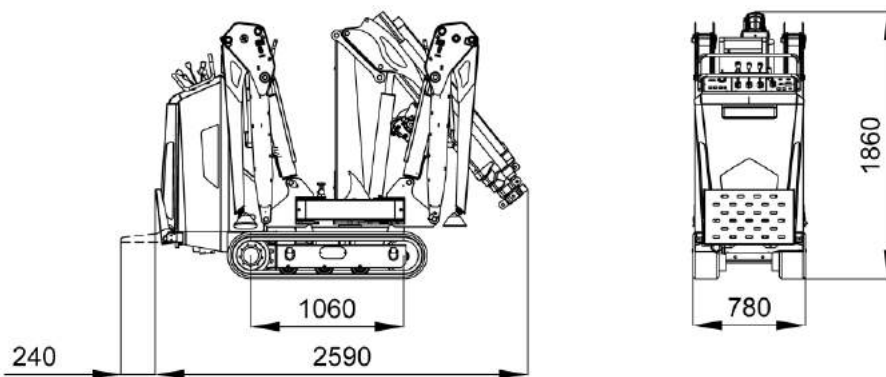
Date	Nov. 8 th 2018
REV.	Rev. 0

JF40 - OVERALL DIMENSIONS

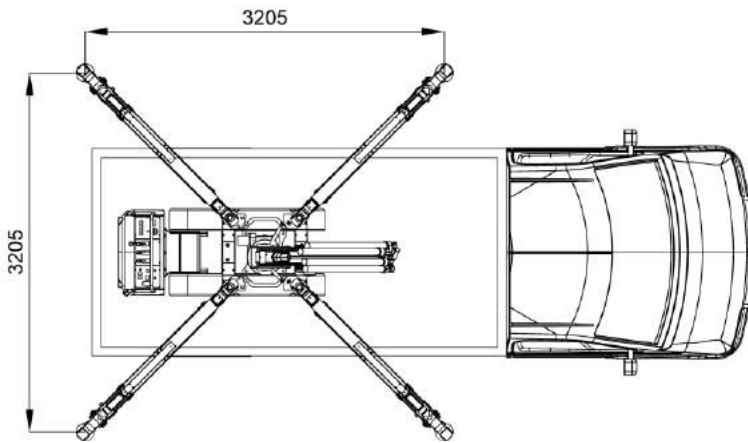
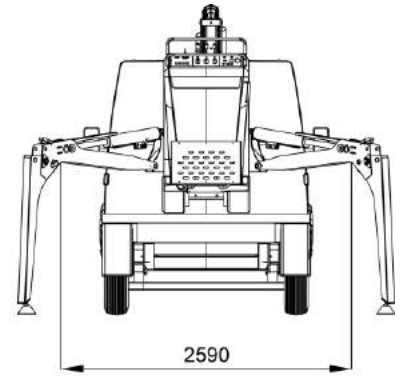
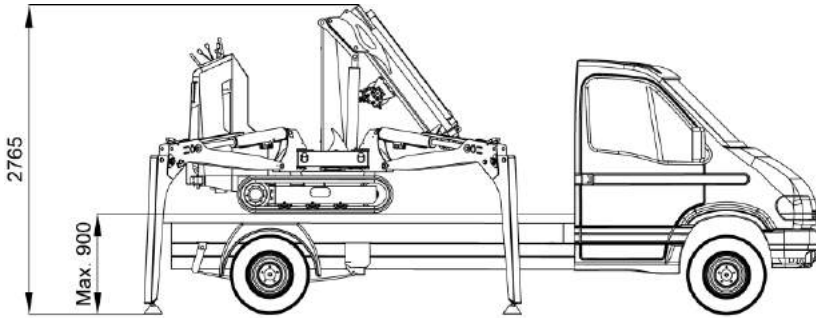
DIMENSIONS WITHOUT WINCH



DIMENSIONS WITH WINCH



DIMENSIONS WHILE LOADING



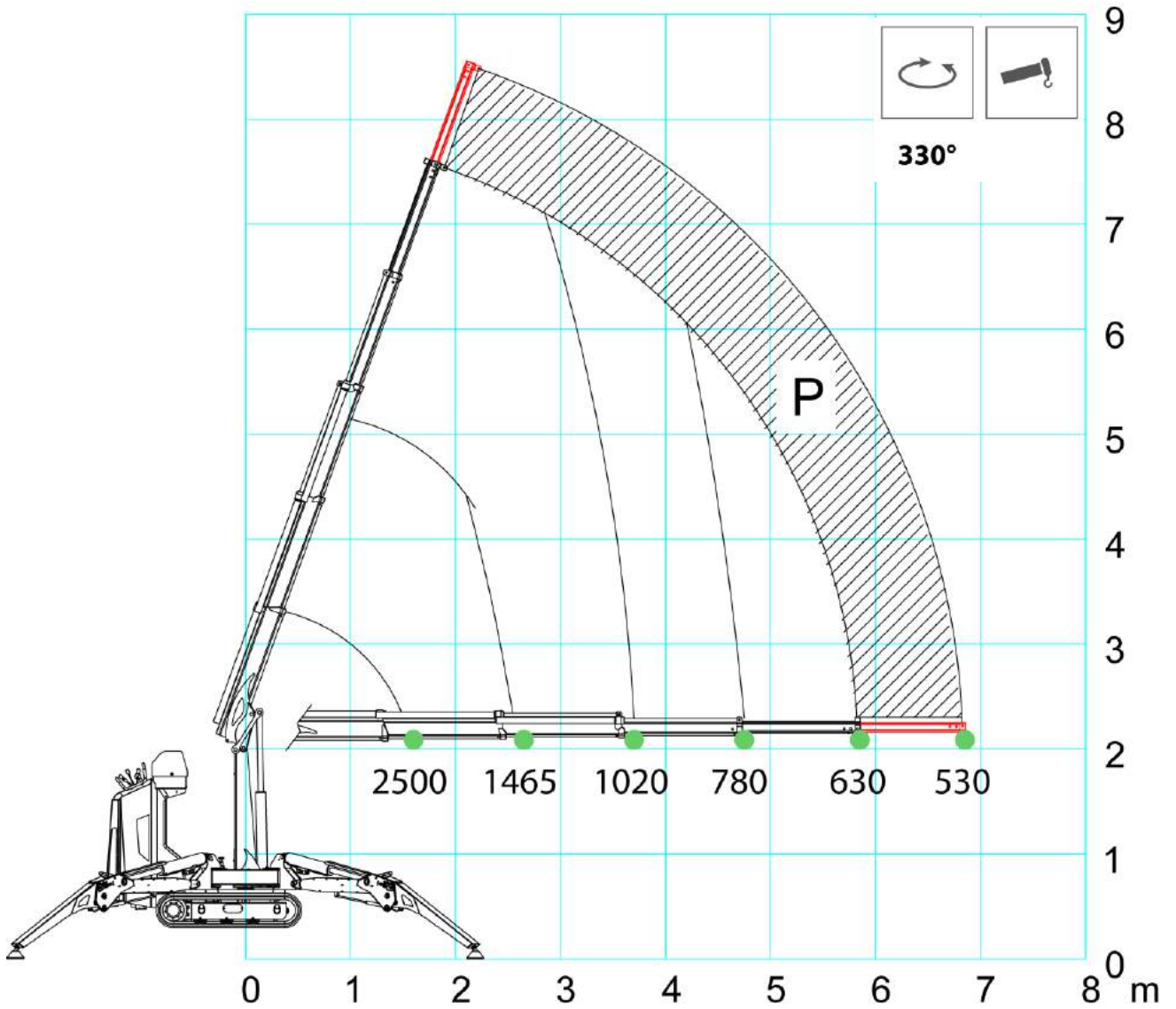
WEIGHTS		Name / version	kg ¹
		CDH-2	1550
		W600.36	33
		SINGLE FALL	12
		MULTIPLE FALL	4
		POWERPACK	40
		MEP-JF40	9
		OM300	17

- 1: Dry weight
- 2: Engine working limit
- 3: Static lifting
- ? Discontinued

ENGINE		YAMAHA MZ360	
	kW	7,6kW 10,4Hp	
		PETROL	
		L	6,7
ELECTRIC		400V 3~ AC 4kW / 5,3 HP	
		230V AC 2,2kW / 2,9 HP	
HYDRAULIC		ISO 6743-4:HV with VG46 viscosity class	
		Working temp	<70°C
		L	35
MOVEMENTS		km/h	2,4
		25° (47%) ²	
		kg/cm ²	0,42
		kg	1530
		70°	
		s	14
		330°	
		s	20
		m	1,6 - 5,85
		s	33

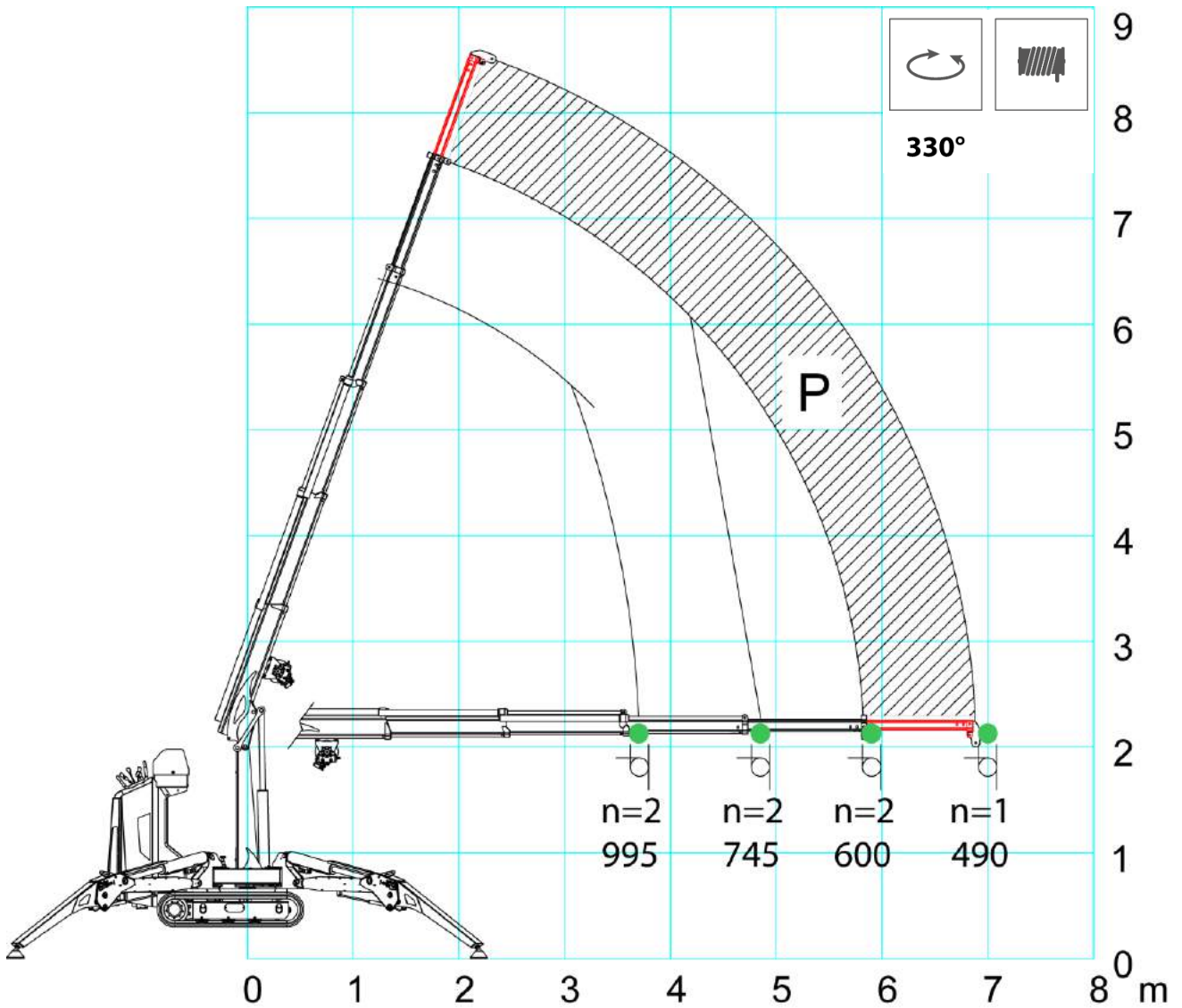
HOIST PERFORMANCE	Winch	Layer	Max line pull	Standard rope speed	Highest rope speed	
			kg	m/min	m/min	
		1	600	27	-	
		2	560	29	-	
		3	520	31	-	
	4	485	33	-		
	Rope	Wire rope	Ø	Total length		Max load
			mm	m		kg
		Right lang lay	6	36		2650
	Hook block	Load	N° of		Block type	
		kg	Sheaves	Lines		
		995	1	2		Multiple fall block
		600	-	1		Single fall block

JF40 - HOOK



P area with manual extension P (optional) mounted.¹

¹ Extension maximum lifting capacity showed is the maximum allowed by the extension in every position.

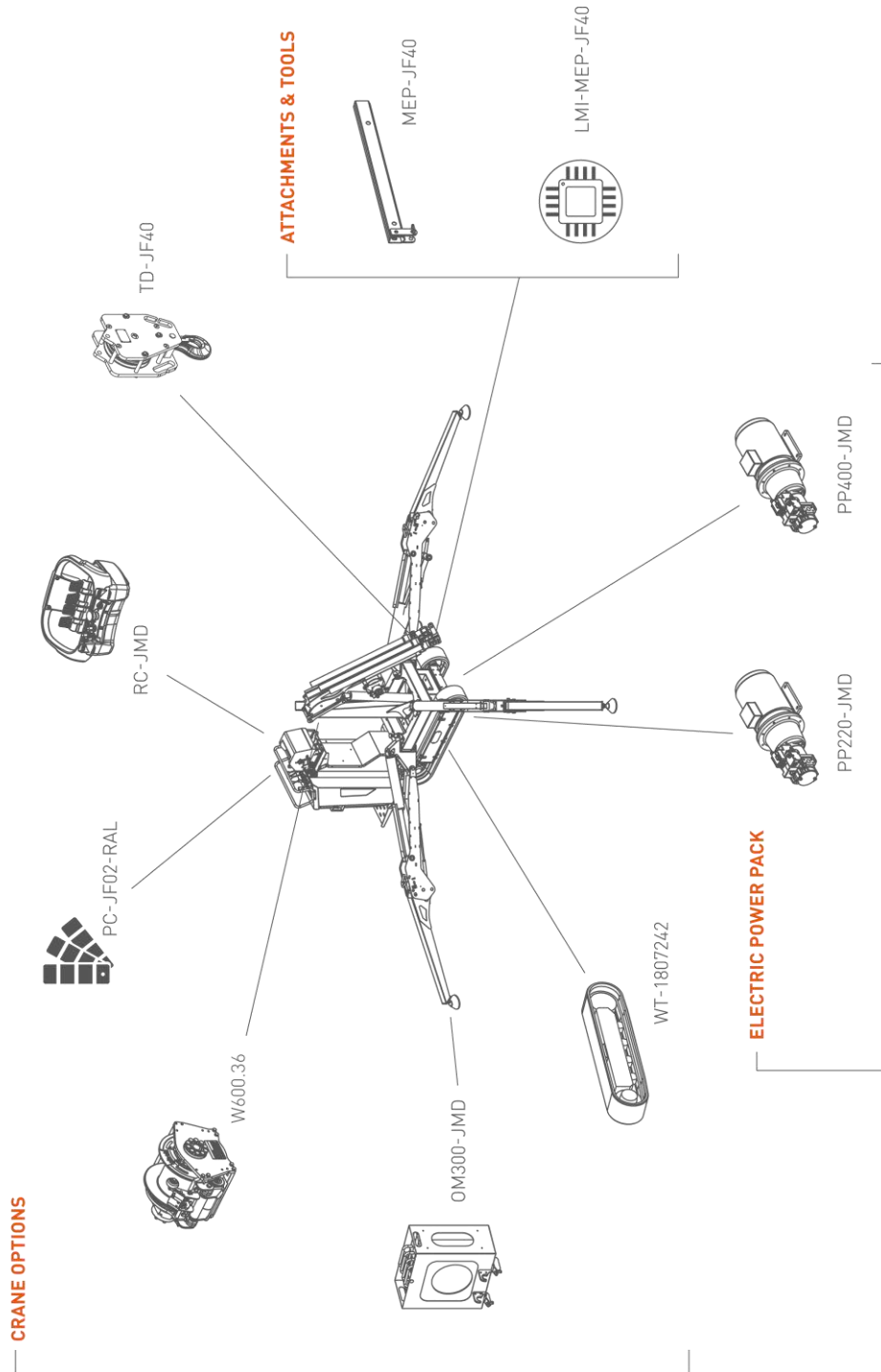
JF40 - PULLEY

P

area with manual extension P (optional) mounted.²

² Extension maximum lifting capacity showed is the maximum allowed by the extension in every position.

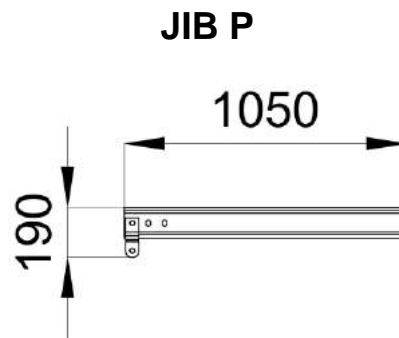
ACCESSORIES

JF40



	STD	PC-JF02
Boom, covers and outriggers	RAL2004	RAL_____
Chassis, frames and tanks	RAL7021	RAL7021

ACCESSORIES FEATURES



SYMBOLS

	Weight		Engine		Boom Angle		Minipicker
	Counterweight		Diesel Fuel		Boom Length		Back Wheel Loading Point
	Crane		Petrol Fuel		Boom Radius		Front Wheel Loading Point
	Dimensions		Tank		Jib on Board		Working Radius
	Stabilization Area		Power		Without Jib on Board		Stabilizing Bar
	Travel Speed		Battery		Jib Hook Radius		Standard
	Gradeability		Lithium Battery		Jib Length and Angle		Factory max. load
	Outrigger Load		Powerpack		Jib Length		Building site max. load
	Track Loading		Main Winch		Jib Radius		Maximum inclination of the machinery
	Outriggers Setup		Hookblock		Manipulator Length		Hydraulic oil
	Ext Tracks Width		Slewing		Manipulator Radius		Winter Warm-up Kit
	Chart on Tracks		Slewing Locked		Number of vacuum pads		Horizontal Boom Angle
	Slope		Outriggers mats		Grabber		White Pads for Steel Tracks

REMARKS REFERRING TO LOAD CHART

- HC1/S2 lifting class according to EN12999:2011 standards.
- Lifting capacities are given in kilograms.
- The weight of the hook blocks and hooks is part of the load and therefore it must be deducted from the lifting capacities.
- Working radii are measured from the slewing centre.
- The lifting capabilities given apply without the winch, the hydraulic activation and any other accessory installed in the boom or jib.
- Subject to modification of lifting capacities.



NOTES

A large, empty rectangular box with a thin black border, intended for taking notes.



DEALER



JEKKO S.r.l. via Campardone, 1 Z.I. 31014 Colle Umberto (TV) Italy
tel. +39 0438 1710083 fax +39 0438 1710123
www.jekko.it - info@jekko.it