

SPX1280

max 8000 kg

5730 x 1450 x 2040 mm

max 26.6 m
with JIB301.3H

max 20.0 m

Reduced stabilization area, 8 T max capacity, 27,5-metres max working height, 2 T pick & carry: a mini crane with unique features which make it incomparable on the market.



Technical Information

Dimension	L x W x H	5730 x 1450 x 2040 mm
Stab. Area		4600 x 4600 mm

		Kg
Crane & Options Weights	SPX1280	7000
	/	1500
	8T-D10	110
	JIB3500GX	70
	JIB1501.3HL	680
JIB1501.1FL	270	
JIB303GR	250	

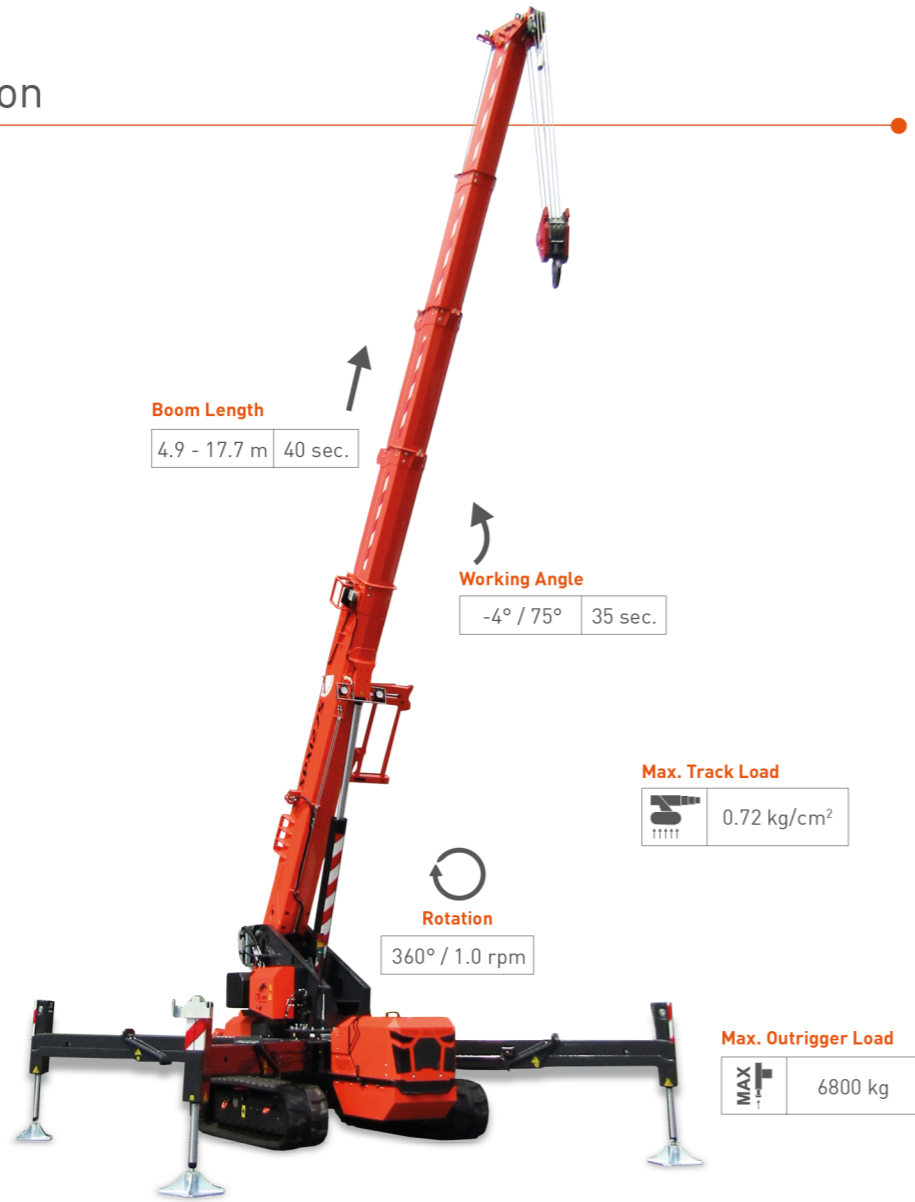
Power Unit	Diesel + Electric	30 kW
------------	-------------------	-------

Also available with Diesel Engine

Speed		1,5/3,0 km/h
-------	--	--------------

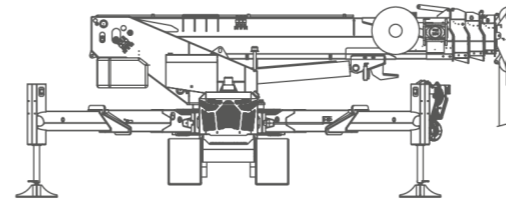
Gradability		20°
-------------	--	-----

Ext. Tracks		1450-2050 mm
-------------	--	--------------



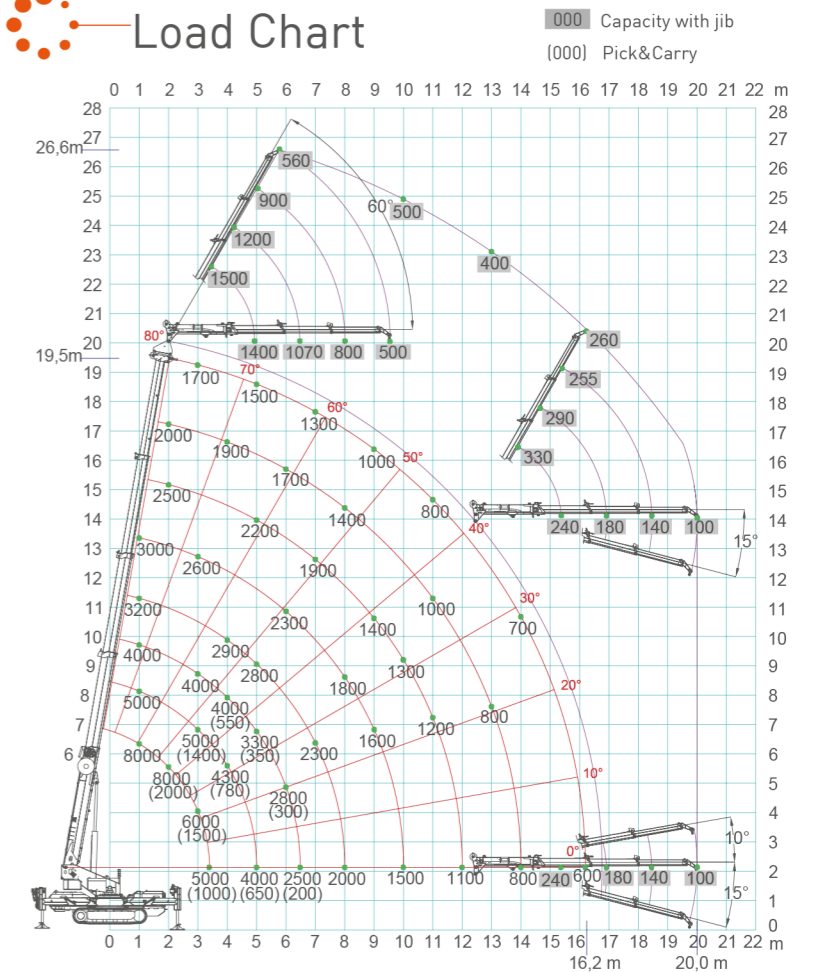
Winch & Fall Stages

Main Winch	1500 kg 125 m - Ø 10 mm 63,8-115,1 m/min.
------------	---

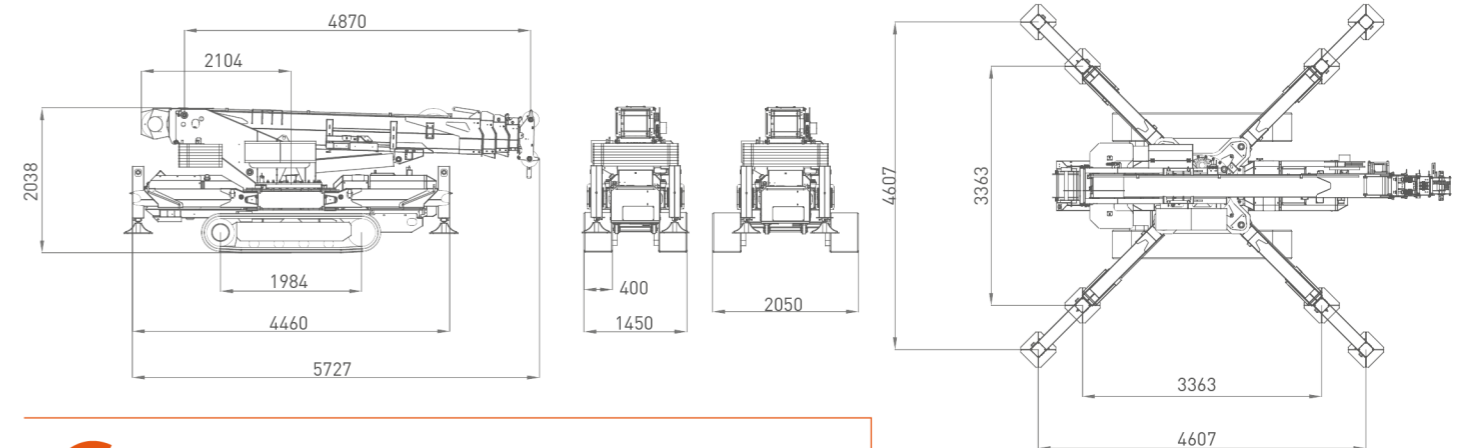


Max. Capacity	Line	Metres
max 8000 kg	5	-23 m
max 6000 kg	4	-29 m
max 4500 kg	3	-37 m
max 3000 kg	2	-52 m
max 1500 kg	1	-116 m

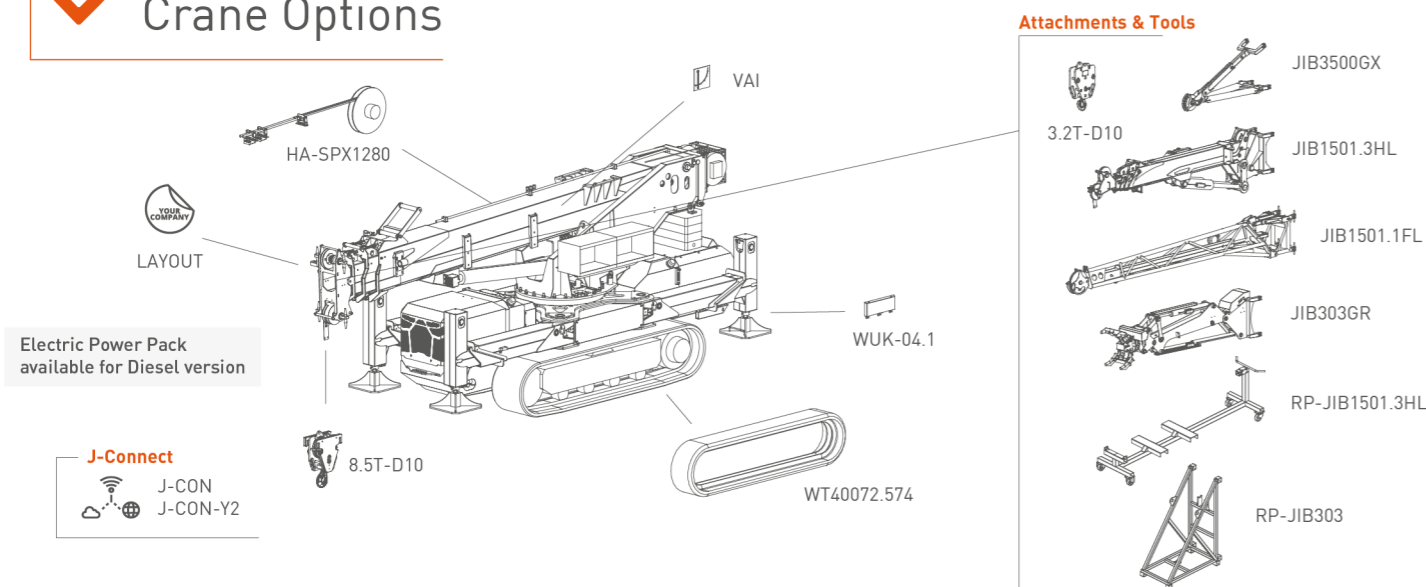
Load Chart



Dimensions



Crane Options



- A2B
- BPI
- CCI
- DTC
- EXT
- GSC
- LMI
- P&C
- PPA
- SCI
- TH
- VW
- RCD
- 2SW
- 2ST

Tools Configurations

JIB3500GX	JIB1501.FL	JIB1501.3H	JIB303GR
max 3500 kg	max 1500 kg	max 1500 kg	max 300 kg
max 1600 kg @ 21 m	max 900 kg @ 26.5 m	max 560 kg @ 26.5 m	max 300 kg @ 22.2 m
max 400 kg @ 17.7 m	max 200 kg @ 16 m	max 100 kg @ 20 m	max 300 kg @ 16.2 m