

# JF545

max 15500 kg

5450 x 1840 x 2750 mm

max 32,5 m with jib

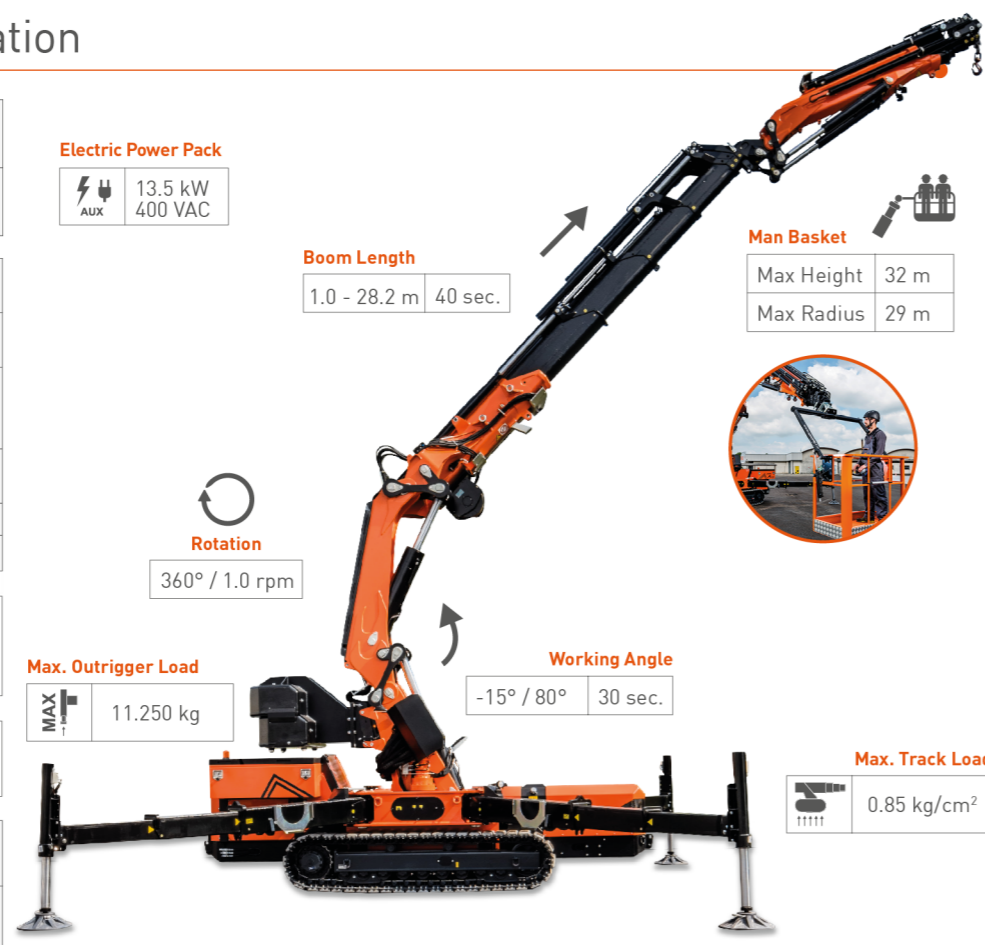
max 28 m with jib

This model combines an articulated truck loader crane with a self-propelled crawler chassis. It offers a glimpse into the future of crawler cranes.

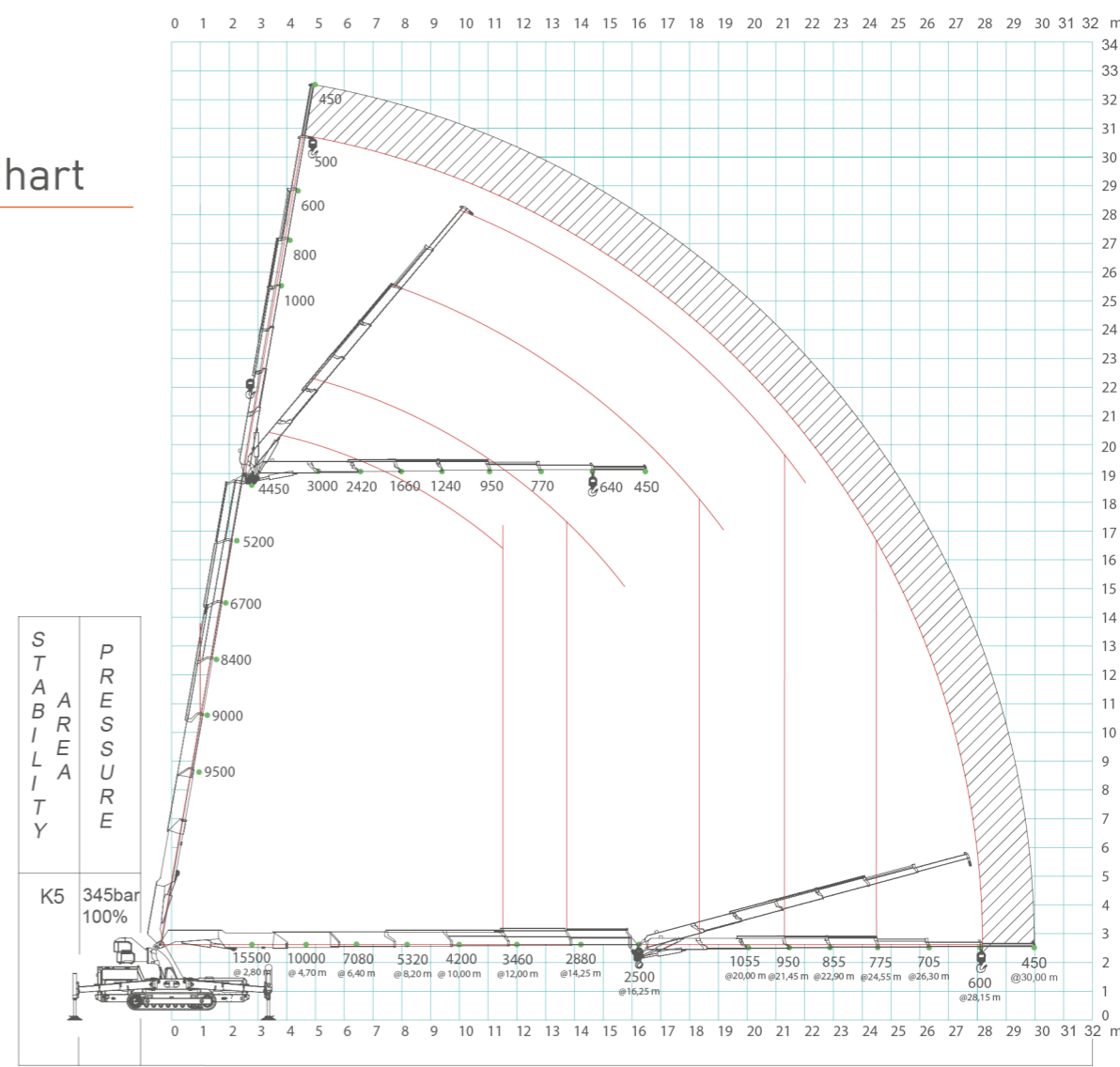


## Technical Information

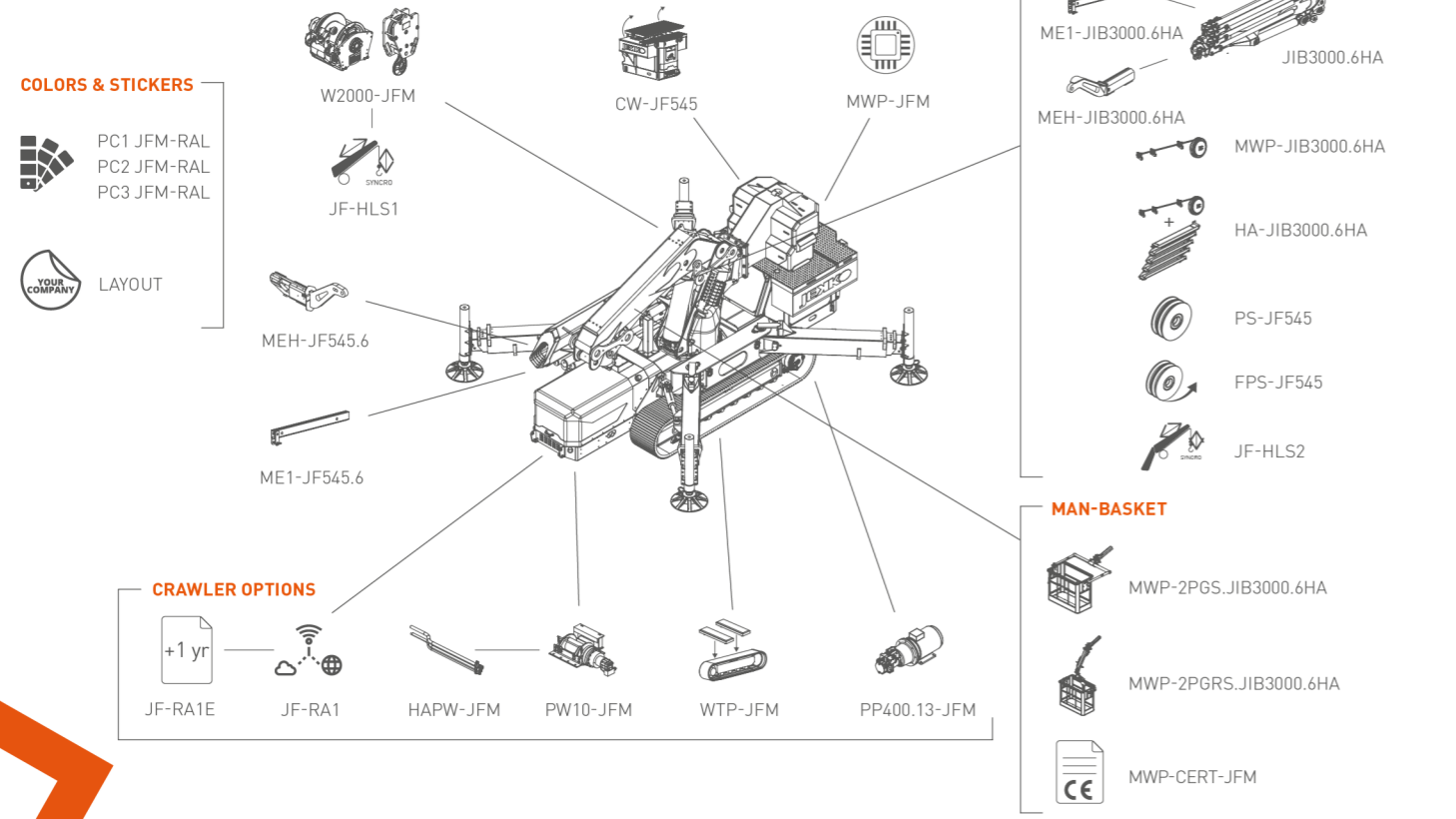
Dimension	L x W x H	5450 x 1840 x 2750 mm	
Stab. Area		6700 x 6700 mm	
Crane & Options Weights		Kg	
	JF545	13700	
	/	3500	
	SINGLE FALL	50	
	JIB3000.6HA	1200	
BASKET	200		
Winch		2600 kg 60 m - Ø 12 mm 36.5-47 m/min.	
JF545	Diesel Engine	KUBOTA V3307-CR-TE4B	55.4 kW 74 Hp
Speed		2.5 km/h	
Gradeability		20°	



## Load Chart



## Crane Options



## Dimensions

