

# JF365

MAX 11500 kg

LxWxH 5450 x 1790 x 2660 mm

30 m with jib

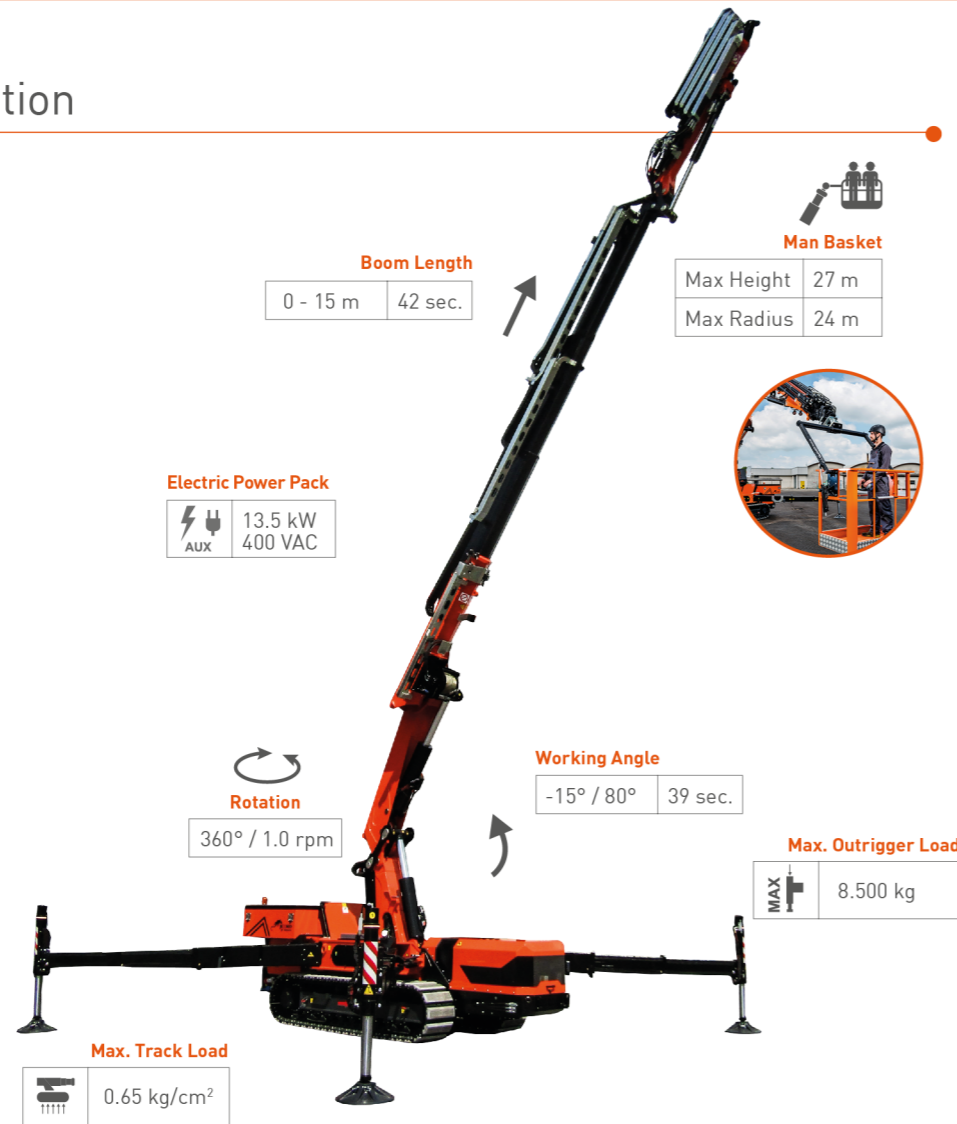
30 m with jib

This model combines an articulated truck loader crane with a self-propelled crawler chassis. It offers a glimpse into the future of crawler cranes.

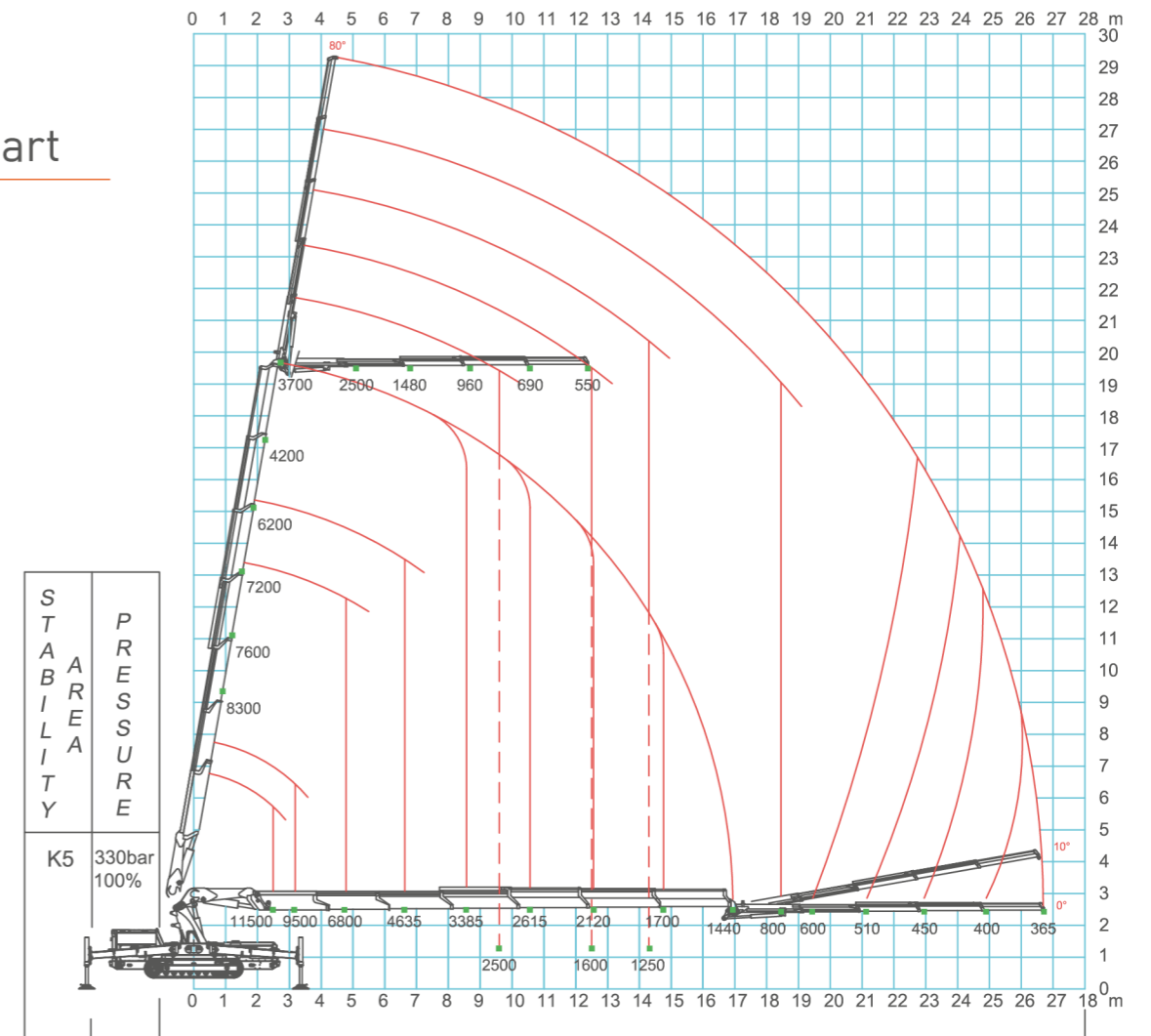


## Technical Information

Dimension	LxWxH	5450 x 1790 x 2660 mm	
Stab. Area		6700 x 6700 mm	
Crane & Options Weights		Kg	
	JF365	12300	
	/	0	
	SINGLE FALL	47	
	JIBL214	700	
BASKET	200		
Winch		2600 kg	
		60 m - Ø 12 mm	
		36.5-47 m/min.	
JF365	Diesel Engine	KUBOTA V3307-CR-TE4B	55.4 kW 74 Hp
Speed		2.5 km/h	
Gradeability		20°	



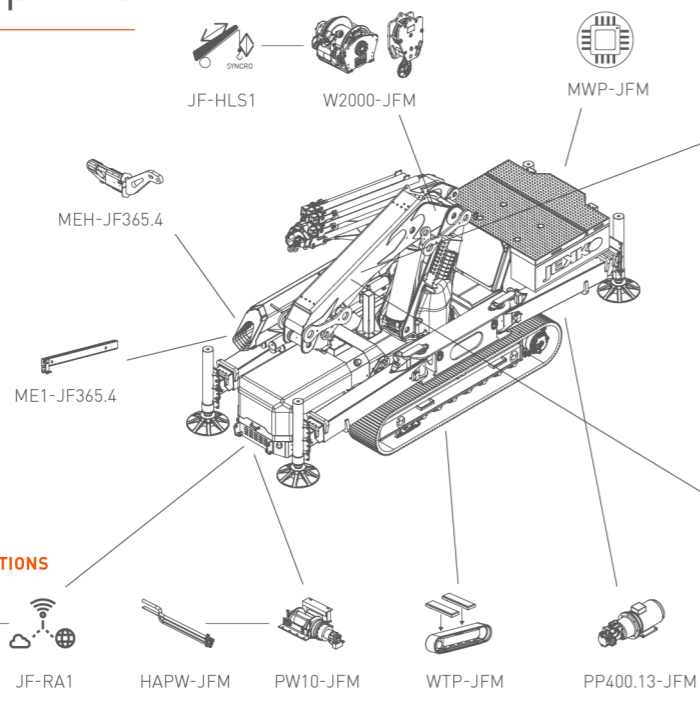
## Load Chart



## Crane Options

### COLORS & STICKERS

- PC1 JFM-RAL
- PC2 JFM-RAL
- PC3 JFM-RAL



### JIB & ATTACHMENTS

- ME1-JIB2500.4HA, JIB2500.4HA
- MEH-JIB2500.4HA
- MWP-JIB2500.4HA
- HA-JIB2500.4HA
- PS-JF365
- FPS-JF365
- JF-HLS2

### MAN-BASKET

- MWP-2PG.JIB2500.4HA
- MWP-2PGR.JIB2500.4HA
- MWP-CERT-JFM

## Dimensions

