

ELEVAH[®] 40 B



The **manual traction** platform Elevah 40B allow you to work up to 4 m in safety.



ELEVAH 40B

PUSH AROUND MACHINE



Complies with EN 280 and is approved for internal use in the absence of wind.



Faraone
Industrie spa

ELEVAH® 40B

TECHNICAL DATA

Max. working height		4,00 m
Max capacity		150 kg
Number of people		1
Use		internal
A	Closed machine height	1445 mm
B	Minimum platform height	310 mm
C	Maximum platform height	1940 mm
D/E/F	Base overall dimensions	995 x 740 mm
F/G	Cage dimensions	690 x 740 mm
Machine weight		152 kg
Drive steering wheels dimensions		Ø 100 x 30
Swivel wheels dimensions (fixed)		Ø 150 x 45

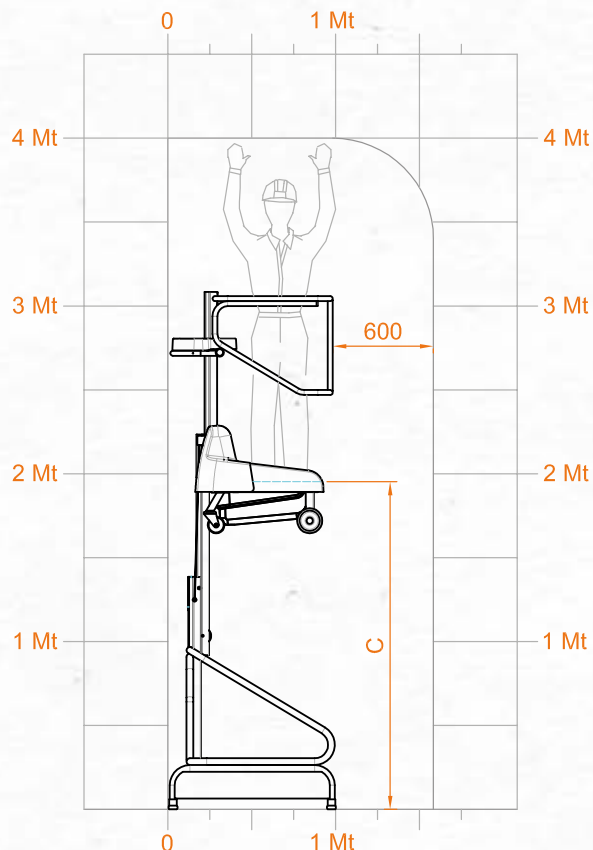
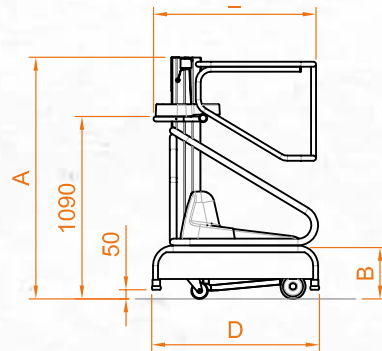
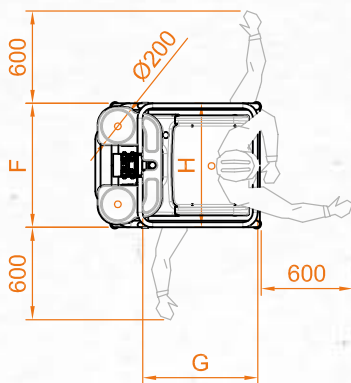


PERFORMANCE

Power supply	electrical
Batteries	2 AGM 12V 35 Ah*
Battery charger	110V - 220V
Internal turning radius	0
External turning radius	1100 mm
Max. speed (rising – descending)	0,10 - 0,16 m/s
Work cycles ** (with fresh batteries)	Ca. 125

* OPTIONAL: 40BGM

** By work cycle we mean a self-propelled movement of 20 m with a full ascent to and descent from the maximum height.



ELEVAH 40B

TECHNICAL DATA