

ELEVAH[®] 40 MOVE picking



PRODUCT OF THE YEAR 2015



The **self propelled** machine for safe picking activities to up to 4 metres, with **automatic elevation** and a 24 volt battery.

The **AGM 45A batteries** allow to double the autonomy of the machine.

ELEVAH 40 MOVE PICKING



MANUAL REMOTE CONTROL

The manual remote control adjusts the picking platform in the height, even when loaded, leaving the operator staying in the basket.



SELF PROPELLED



SOME ACCESSORIES AND CUSTOMISATION



C: belt with winder to block goods during picking activities



40 PR: Adjustable banks for picking platform.

➤ OTHER ACCESSORIES AND CUSTOMISATION ON P. 46

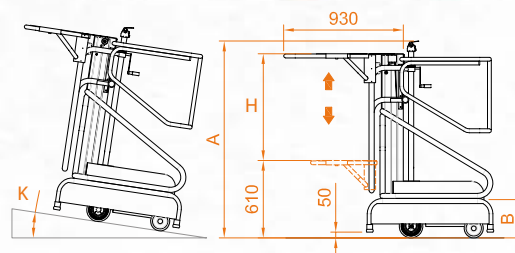
STOCK PICKERS



ELEVAH[®] 40 MOVE picking

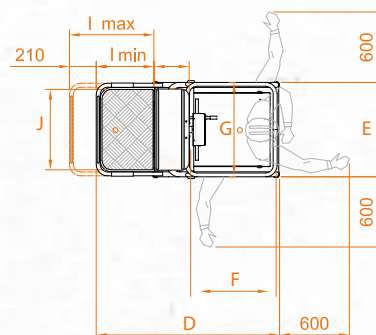
TECHNICAL DATA

Max. working height		4,00 m
Max capacity		150 kg
Number of people		1
Use		Internal - External
A	Closed machine height	1550 mm
B	Minimum platform height	300 mm
C	Maximum platform height	1950 mm
D/E	Base overall dimensions	995 x 740 mm
F/G	Cage dimensions	690 x 740 mm
Machine weight		190 kg
Fixed picking tray dimensions		270 x 630 mm
Driving (steering) wheel size		Ø 190 x 60
Swivel wheels dimensions (fixed)		Ø 150 x 45



PICKING PLATFORM

Adjustment		manual
H	Stroke	830 mm
Min. height from the ground		610 mm
Maximum height from the ground		3100 mm
I/J	Dimensions	450 (660) x 725 mm
Capacity		40 kg

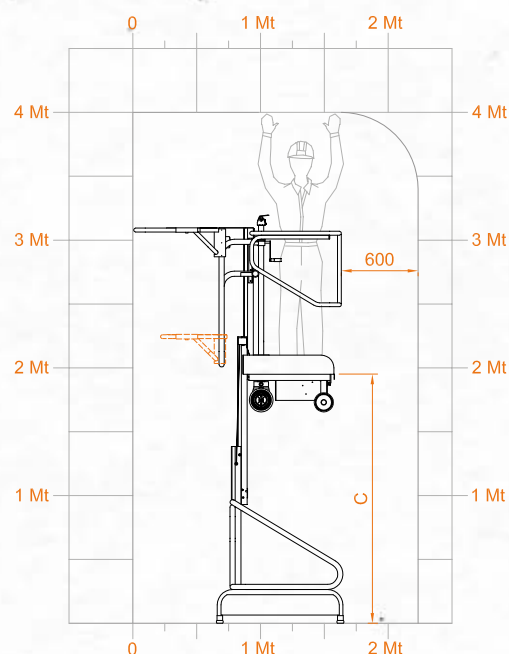


PERFORMANCE

Power supply		electrical
Batteries		2 AGM 12V 45 Ah*
Battery charger		110V - 220V
K	Maximum climbing ability	15%
Internal turning radius		0
External turning radius		800 mm
Max. speed (rising - descending)		0,08 - 0,10 m/s
Maximum shifting speed		0,8 m/s
Work cycles ** (with fresh batteries)		Ca. 100

* Optional - 40BGM

** By work cycle we mean a self-propelled movement of 20 m with a full ascent to and descent from the maximum height.



ELEVAH 40 MOVE PICKING

TECHNICAL DATA

