

SPK60

max 6000 kg

max 3505 x 2320 x 2640 mm

max 27 m

max 18 m

The only mini crawler crane on the market with an operator's cab and luffing capability thanks to its hydraulic articulated jib - fully featured, advanced technology and more than 50 configurations.



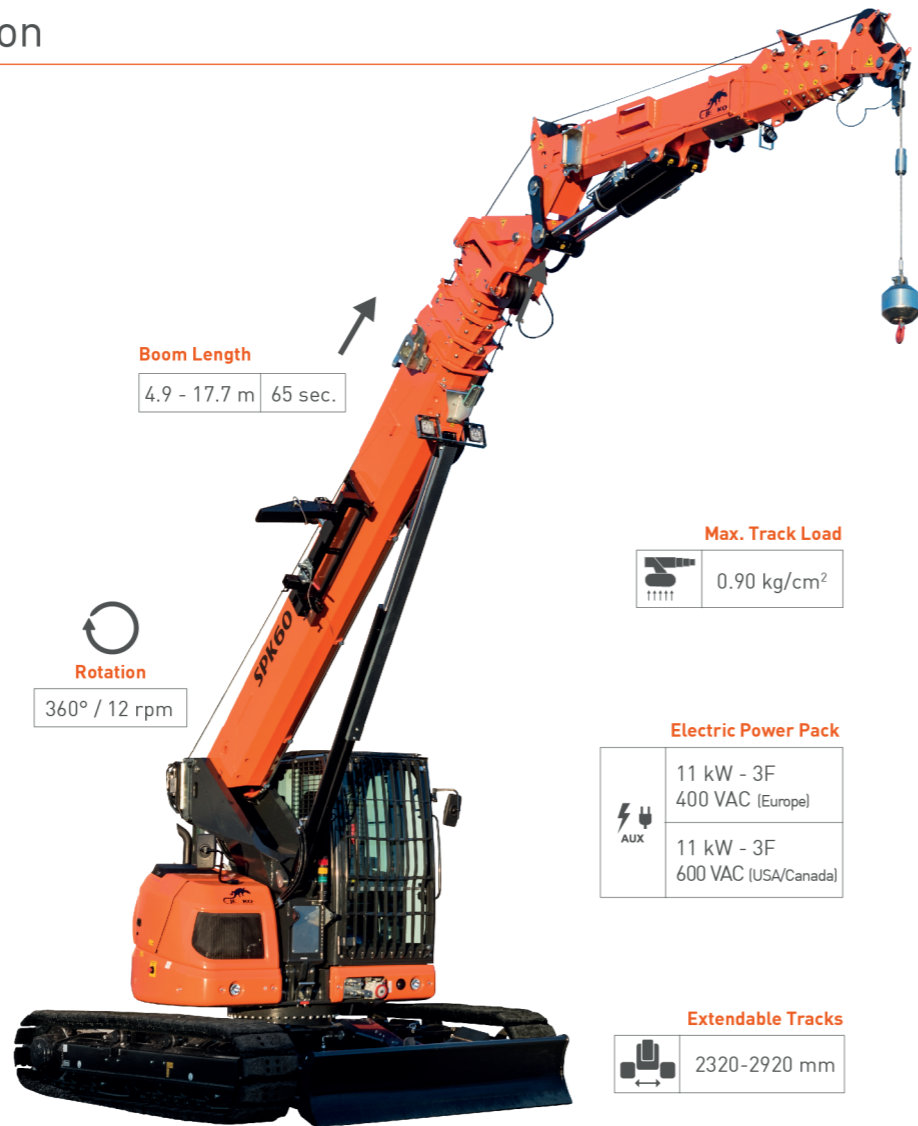
Technical Information

Dimension	L x W x H	3505 x 2320 x 2640 mm
Track Ext.	L x W	3505 x 2920 mm

Crane & Options Weights		kg
	SPK60	12200
	/	1560
	8T-D10	110
	PP400-11D.V02 PP600-11D.V03	140
	JIB1501.3HL	680
	JIB1501.FL	265
	JIB3500GX	70
	JIB300GR	245

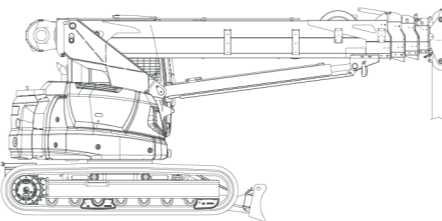
SPK60	Diesel Engine	YANMAR 4TNV98CT	53.7 kW 73.0 Hp
-------	---------------	-----------------	--------------------

Speed		1.7/3.1 km/h
Gradeability		10°



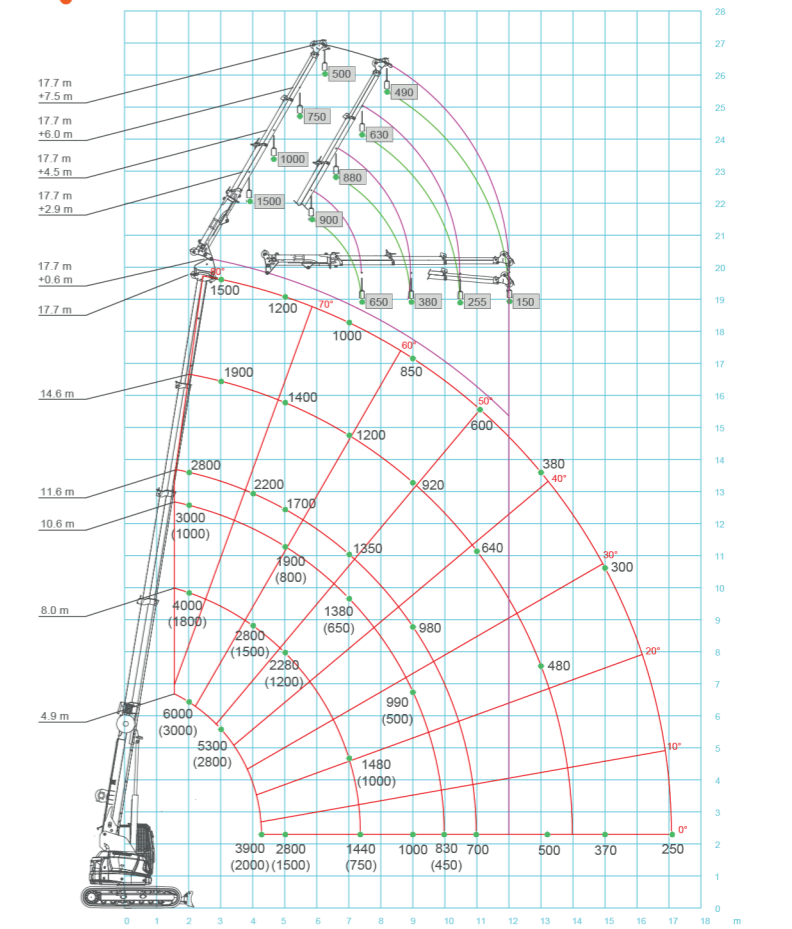
Winch & Fall Stages

	Main Winch	1500 kg 125 m - Ø 10 mm 30-55 m/min.
--	------------	--

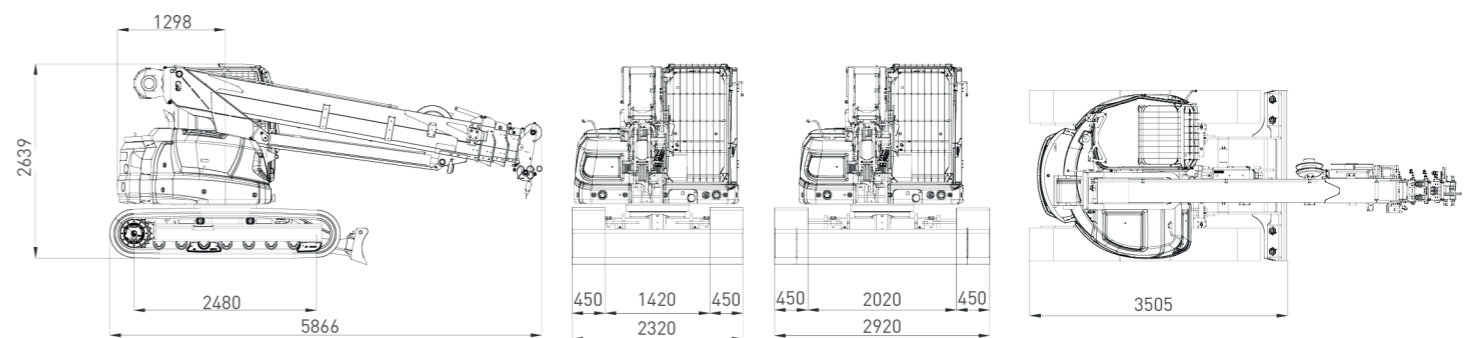


Max. Capacity	Line	Metres
6000 kg	6	-20 m
6000 kg	5	-23 m
6000 kg	4	-28 m
4500 kg	3	-38 m
3000 kg	2	-58 m
1500 kg	1	-116 m

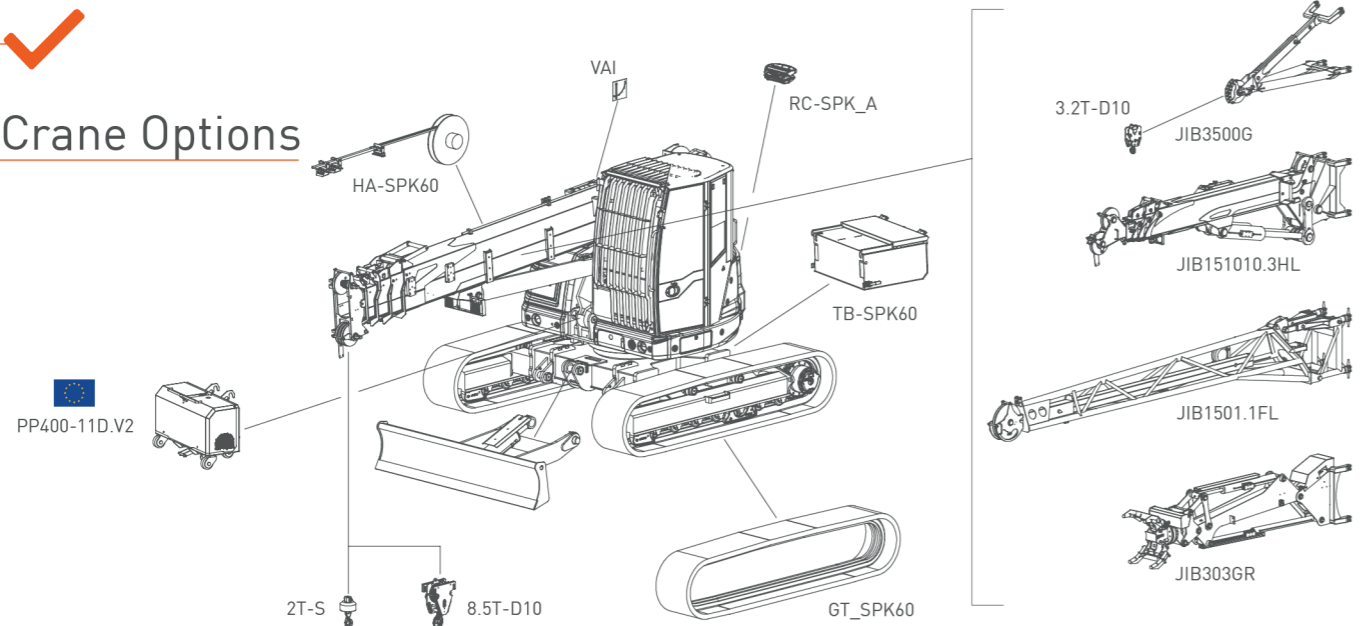
Load Chart



Dimensions



Crane Options



- A2B
- BPI
- CCI
- DTC
- EXT
- GSC
- LMI
- P&C
- PPA
- SCI
- TH
- VW
- RCD
- 2SW
- 2ST

Tools Configurations

JIB3500GX	JIB1501.3HL	JIB1501.1FL	JIB300GR
3500 kg	1500 kg	1500 kg	300 kg
1330 kg @ 20.5 m	490 kg @ 26 m	700 kg @ 26 m	300 kg @ 16 m
150 kg @ 18.5 m	150 kg @ 12 m	200 kg @ 14 m	300 kg @ 11 m