



# Technical Data

Specification & Capacities

**MV600.3E**



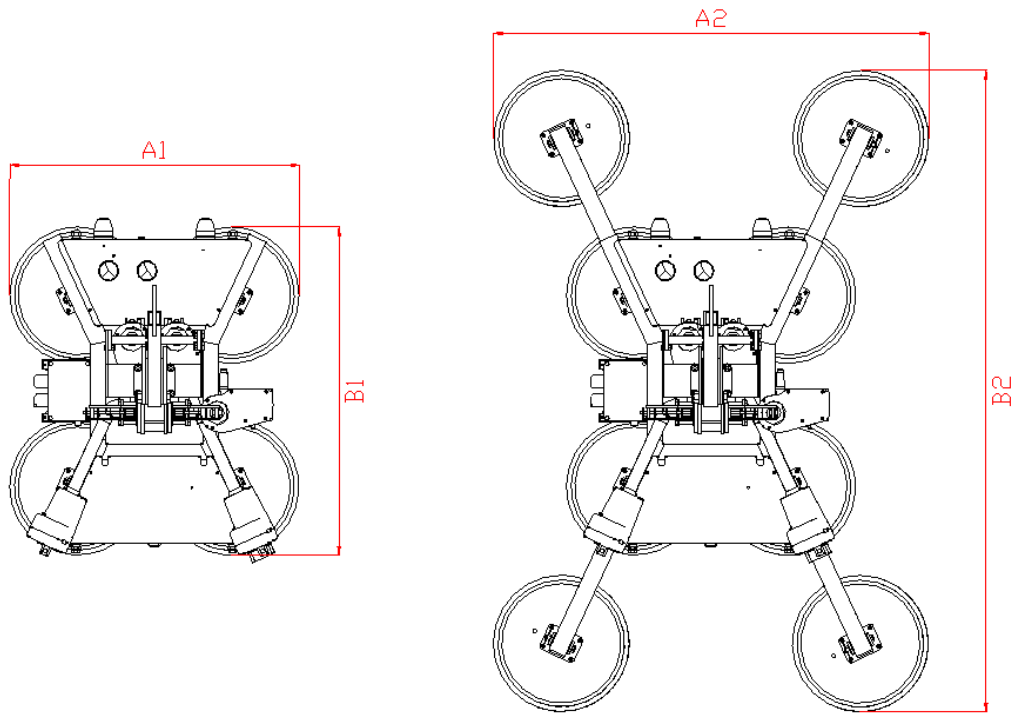




Via Campardone, 7  
31014 Colle Umberto – Italy  
Tel. +39 0438 434443  
Mail: info@jekko.it  
Web: www.jekko.it

Date	28-07-15
REV.	Draft

# MV600.3E



			<i>Cups Diameter</i>	
			<i>STD</i> Ø400	<i>OPT</i> Ø300
<b>1 x cup</b>	<b>Capacity</b>	<b>kg</b>	150	100
	<b>Factory Capacity</b>	<b>kg</b>	600	400
<b>4 x cup</b>	<b>Jobsite Capacity</b>	<b>kg</b>	300	200
	<b>A1 x B1</b>	<b>mm</b>	850 x 950	750 x 850
	<b>Factory Capacity</b>	<b>kg</b>	600	600
<b>8 x cup</b>	<b>Jobsite Capacity</b>	<b>kg</b>	600	400
	<b>A2 x B2</b>	<b>mm</b>	1180 x 1780	1280 x 1880

Tilting: 90°/30°  
 Swing: 40°/40°  
 Rotation: 95°

Weight: 200kg (including crane attachment)

EN13155 dual independent vacuum circuits

# SPX424CDH & MV600.3E

