

# JML25 Plus



## Technical Information

Max capacity	2500 kg
Battery autonomy	8 h
Power (electric engine)	48V-3kW
Battery pack	AGM n.8 260Ah 48V
Battery charger	n. 1 20Ah 48V
Re-charging time	12 h
Undercarriage	Bi-levelling
Logitudinal levelling Front	20°
Logitudinal levelling Rear	15°
Lateral levelling	+/- 14°
Hydraulic commands	Proportional
Control of inclination	Automatic
Gradeability	25°
Side slope	25°
Total weight	1780 kg
Speed	1.90 km/h



Cable Control

## Crawler Options



Low Marking Tracks



Programming Cable



Electric Winch



Personalized Color



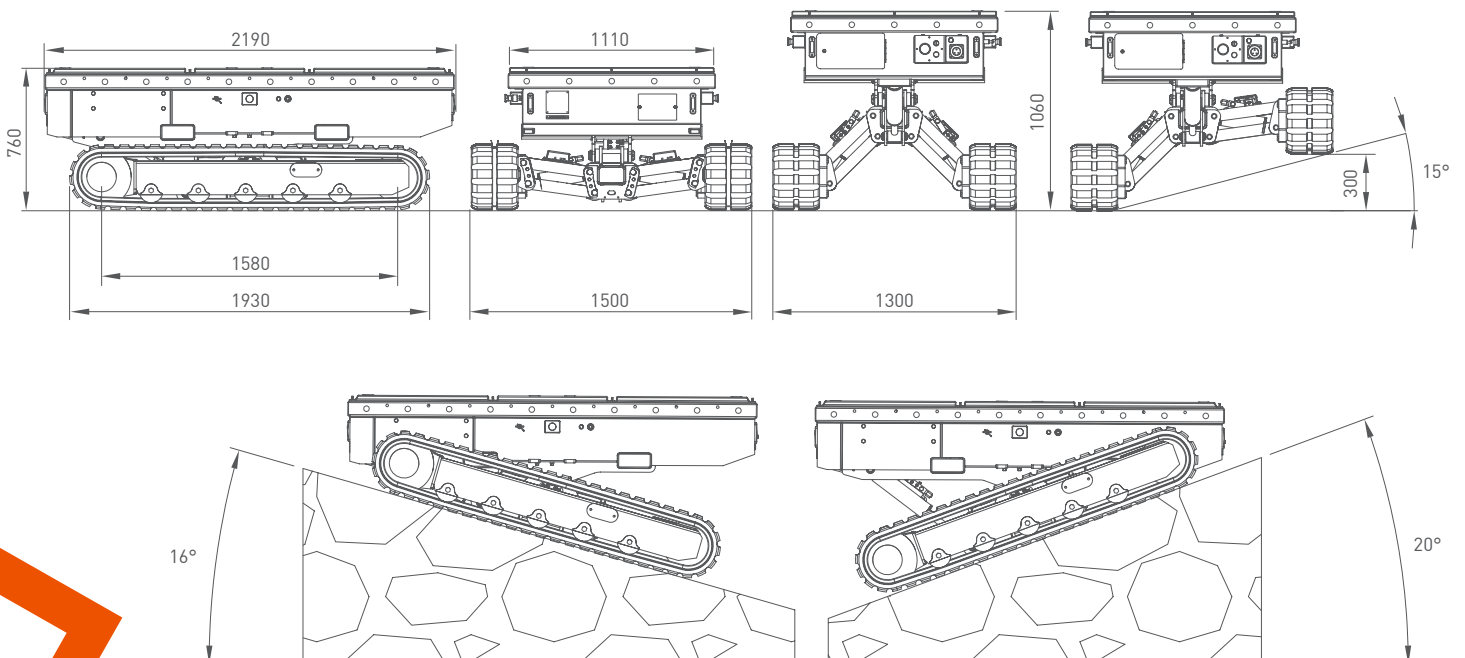
Maxi Chassis kit



Tow Hook



## Dimensions



# Multi Loaders

Multi-Loader is Jekko's new range of tracked loaders with double levelling and remote control.

## 2.5 T LOADING CAPACITY

The new Multi Loading platform allows equipment and/or implements for all types of operations up to a max. load of 2.5t to be installed. Tracked traction allows all types of ground to be operated on, with the possibility of smoothly and precisely manoeuvring even in narrow spaces, offering the lowest pressure on ground.



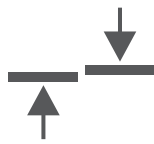
## FORKLIFT LIFTING POINTS

For easy moving and transport.



## SELF LEVELLING

The levelling of the loading platform is automatic when driving on tracks (Dynamic Levelling), so that the machine can be operated in top safety even with sloped and/or rough grounds. Multi-Loader simultaneously compensates for longitudinal slopes of 20° (40%) and crosswise slopes of 14° (25%), with a full integrity of the handled material.



## AUTONOMY

The innovative Lead Cristal Battery Power-Pack provides 10 hours of working time in a mixed cycle, offering a max. inching speed of 2.2 km/h. A high frequency battery charger is installed directly inside the main chassis and charges the Multi-Loader in 5 hours only, while an auxiliary electric pump (220V - 2.2kW) allows the loader to be used also while batteries are being charged.

## ELECTRIC WINCH



## TOW HOOK



**220V-2.5kW or 110V-1.9kW  
AUXILIARY ELECTRO PUMP**

✓ Only for JML 25 Performance



**FULLY  
RADIO-REMOTE  
CONTROLLED**

## BATTERY POWERED

Eco-friendly and noiseless, the new Multi-Loader range offers top use versatility in both inside and outside areas.

**48V - 3kW**

Up to 10 Hours autonomy



## MAXI-CHASSIS WITH RAMPS

Chassis: W 1,30 mt - L 2,45 mt  
Ramps: W 0,36 mt - L 2,50 mt

