

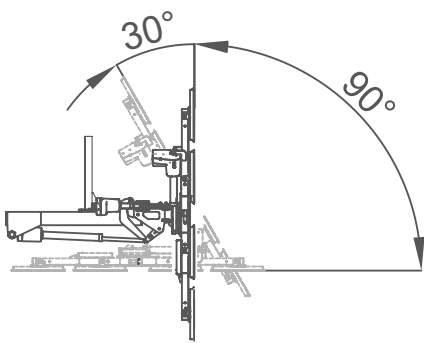
# RADIO REMOTE CONTROLLED UNIVERSAL GLASS MANIPULATOR

Glass manipulators are used for accurate handling and installation of glass panes, and are faster and more efficient than a single suction cup since a single operator can pick up and lift the pane to the required height, orient it and place it in the position for fixing to the building structure.

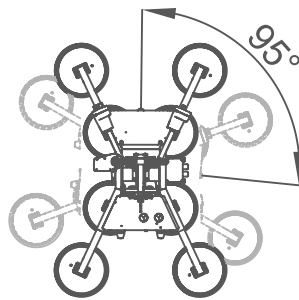
MV600R.E+ can lift panes of up to 600 kg. The operator controls the manipulator by an independent radio remote control: extremely precise movements in all four directions are possible as well as tilt and rotation. In compliance with the relevant regulations, suction cups can be used for many non-porous material.



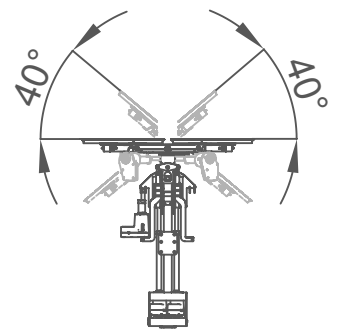
## 3 Different Movements



Rotation Angle



Slewing Angle



Tilting Angle

✓ Available for **ANY CRANE**



CITY CRANES

TELE-HANDLERS



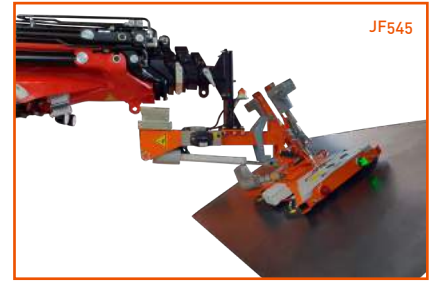
TRUCK-MOUNTED  
CRANES

JEKKO CRANES

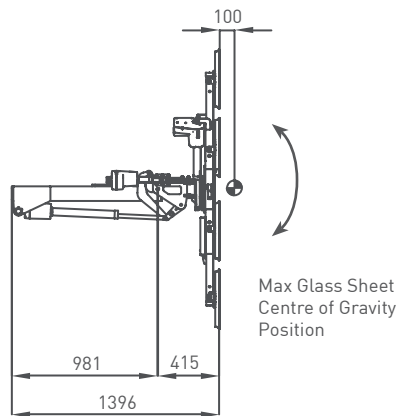
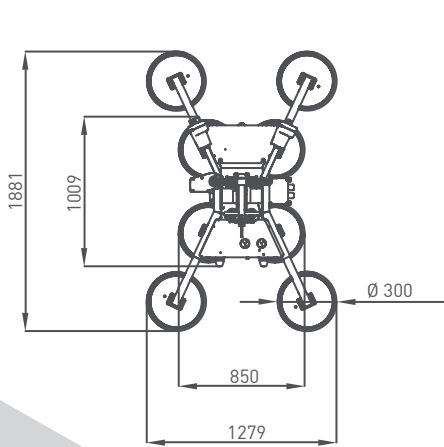


JEKKO JIBs








## Battery MV 600R.E+



## Technical Information






Dimension	 LxWxH	1880 x 1400 x 1280 mm
N. of Pads		4 + 4

Weight		200 kg
Elect. System		24V
Pad Diameter		300 mm
Max SWL		600 kg
Tilting Angle		+40°/-40°
Slewing Angle		95°
Rotation Angle		+30°/-90°

✓ 2 batteries and battery charger included

✓ With independent Radio Remote Control

N. of Pads		4	8
Factory use		300 kg	600 kg
Building site use		150 kg	300 kg

Rest position Frame included

