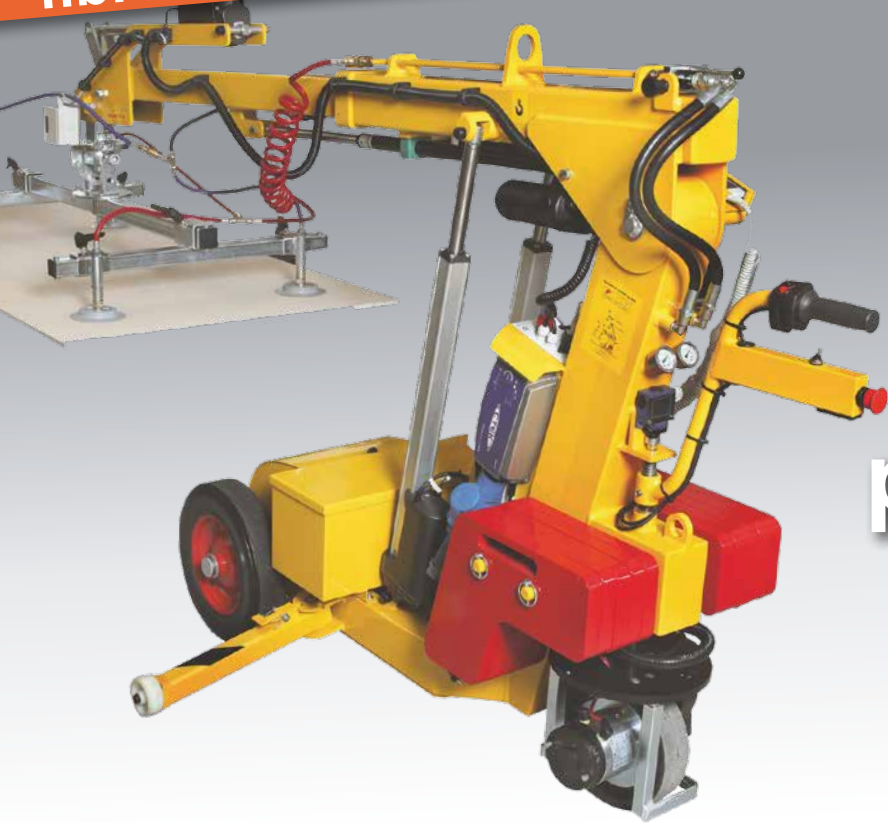


For plasterboard,  
fibre board etc.

**SL Gipsy**  
for indoor use



## Handles plasterboards the easy way

Smartlift has developed a special version of the popular self-driven Smartlift which has been designed for working with plasterboard, fibre board, etc.

- Two vacuum circuits with two pumps
- Stepless in all its movements
- Automatic setting to horizontal or vertical position via gyro system
- Double speed on lift, extension and tilt
- Self-propelled
- Labour-saving
- Enhances the working environment
- Tried-and-tested Danish quality



*SL Gipsy has a built-in gyro system to allow the lift to find a horizontal or vertical position quickly and automatically.*

N.A. Christensensvej 39  
DK-7900 Nykøbing Mors  
Tel: +45 97 72 29 11  
E-mail: smart@smartlift.dk  
www.smartlift.dk

**Smart Lift**  
DENMARK



The lift has a side extension to the last correction of the plasterboards before installation.



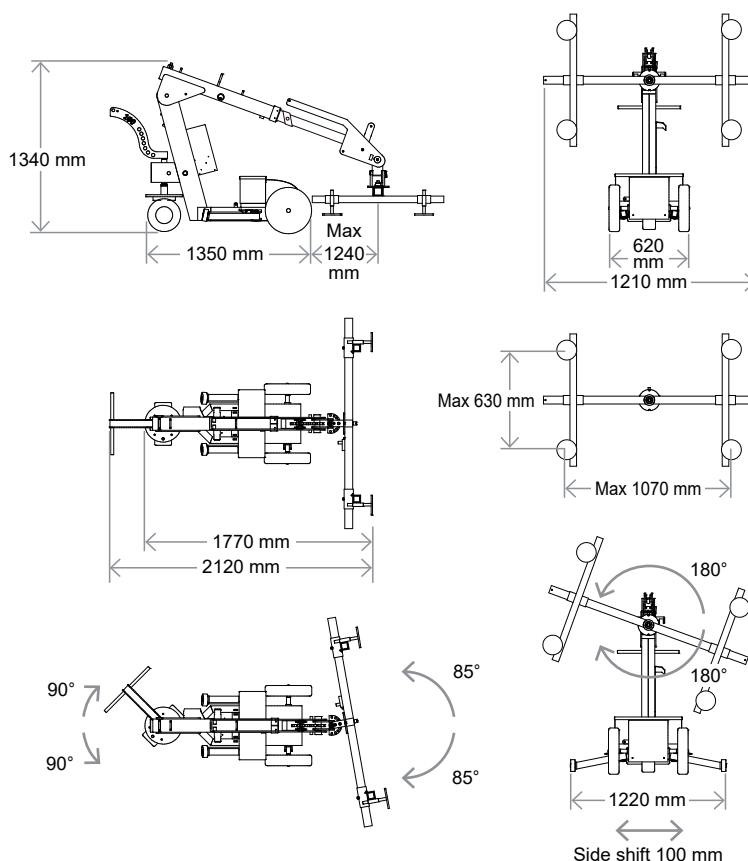
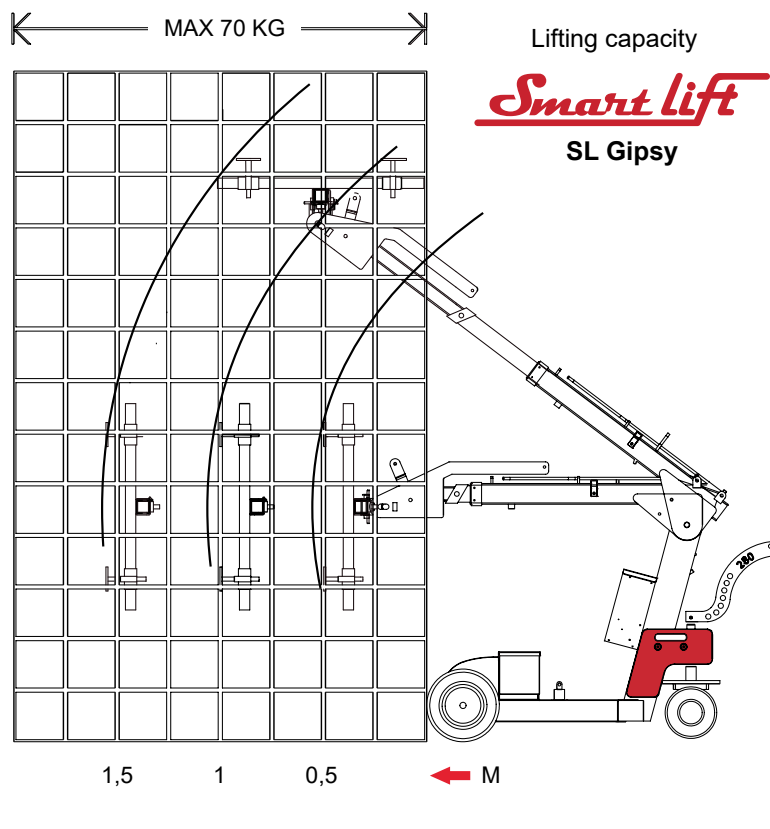
The beam has a manual extension in addition to the electrical.



SL Gipsy runs at double speed when lifting, extending and tilting, and therefore meets demands for a rapid tempo often required in fitting work.

## Technical data

Description	Value
Weight	480 kg
Height	1340 mm
Width (min)	620 mm
Length (min)	2120 mm
Extension of arm	500 mm
Tip from horizontal	50° back/50° forward
Side shift	100 mm
Voltage charger	230 volt
Integrated charger	MXT 14
Charging time	Approx 8 hours
Battery (2x12 v) 24 volt	2 x 60 A
Running period	Approx 24 hours
Propelling engine	700 Watt
Suction discs	4 x Ø 125 mm



N.A. Christensensvej 39  
 DK-7900 Nykøbing Mors  
 Tel: +45 97 72 29 11  
 E-mail: smart@smartlift.dk  
 www.smartlift.dk