

SL 608 Outdoor High Lifter RT

for outdoor and indoor use

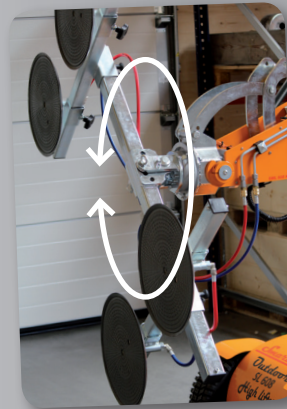


A powerful lift with electrical rotation of the yoke

SL 608 Outdoor High Lifter RT is a powerful lift that is mounted with electrical rotation of the yoke. One man can thus handle the rotation of windows without difficulty and avoid manual rotational movements.

**SL 608 Outdoor High Lifter RT
lifts up to 608 kg**

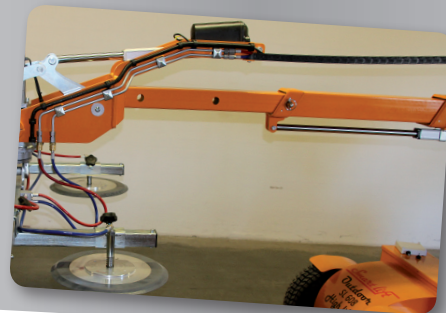
- Off road with front-wheel drive
- Manoevrable with dual rear wheels
- Foam filled tyres
- Self-driven
- Electrical rotation
- Electronic brake
- Lifting height 3720 mm (centre of yoke)
- 2 vacuum circuits with separate pumps
- 4 x 400 mm suction pads
- Ergonomic operation handle
- Waterproof according to ip65



The electrical rotation of the yoke makes it easier to handle heavy items.

The movements of the lift are soft and stepless.

Tasks like the mounting of sealing tape are easily done in a single workflow.

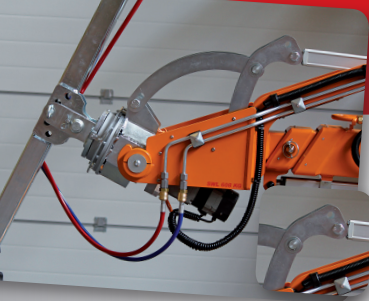


In addition to the electrical extension, the carrying arm is fitted with a manual extension arm to provide extra long reach.

N.A. Christensensvej 39
DK-7900 Nykøbing Mors
Tel.: +45 97 72 29 11
E-mail: smart@smartlift.dk
www.smartlift.dk

Smart Lift
DENMARK

SL 608 Outdoor High Lifter RT



The lifting head has two settings, adjusted by means of two holes for the locking bolt. The lifting head can therefore be adjusted to tilt more towards the ceiling or floor.



The SmartLift can lift items horizontally in rooms with low ceiling height.



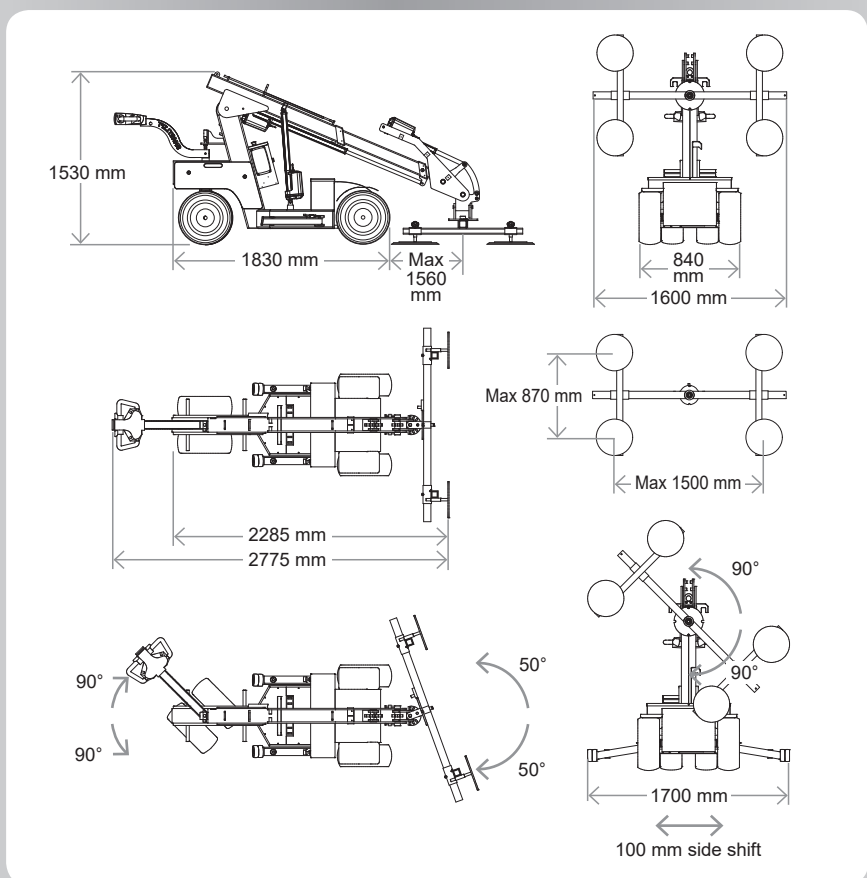
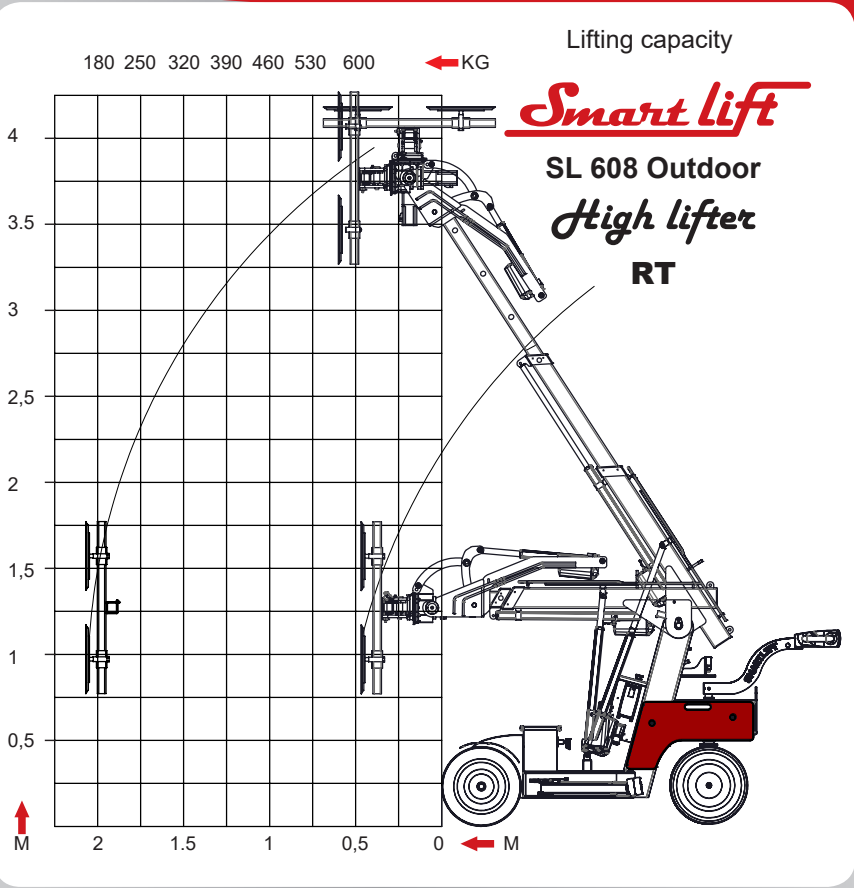
Even from a high height the SmartLift is able to lift items that are in a horizontal position.



If desired, a cordless remote control can be selected, which also makes all motion functions accessible.

Technical data

Description	Value
Weight	950 kg
Height	1530 mm
Width (min)	840 mm
Length (min)	2285 mm
Extension of arm	700 + 900 mm
Tip from horizontal	40° back/100° forward
Speed regulation	Stepless high/low
Side shift	100 mm
Vacuum system	2 circuits
Lifting height mounting	4080 mm
Charging voltage	230 volt
Integrated charger	Victron Energy
Charging time	Approx. 8 hours
Battery (2 x 12 v) 24 volt	2 x 105 A
Running period	Up to 8 hours
Front-wheel drive	1200 W - AC
Brake	Electronic
Suction pads	4 x 400 mm
Lifting capacity arm in/extended (1600 mm)	608 kg/150 kg



N.A. Christensensvej 39
 DK-7900 Nykøbing Mors
 Tel.: +45 97 72 29 11
 E-mail: smart@smartlift.dk
 www.smartlift.dk

