

**SL 380 Midi**  
– Compact and reliable

**SL 380 Midi**  
for indoor use



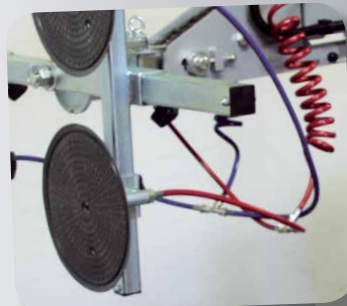
## Midi – for lifting medium-sized items

The SL 380 Midi fills the gap in the market between the Standard and Maxi models.

The SL 380 Midi handles everything in between.

- Two vacuum circuits with two pumps
- Four Suction pads Ø 300 mm
- Multifunctional
- Self-propelled
- Labour-saving
- Improves work environment
- Tried-and-tested Danish quality

*This Smartlift has a dual-circuit vacuum system for maximum safety. Vacuum circuits shown here with blue and red vacuum tubes.*



*The SL 380 Midi is small and smart, but still strong and powerful.*

*The SL 380 Midi is equipped with the most reliable suction cups on the market.*



N.A. Christensensvej 39  
DK-7900 Nykøbing Mors  
Tel.: +45 97 72 29 11  
E-mail: smart@smartlift.dk  
www.smartlift.dk

**Smart Lift**  
DENMARK

The Smartlift is easily transported in a van or on a trailer



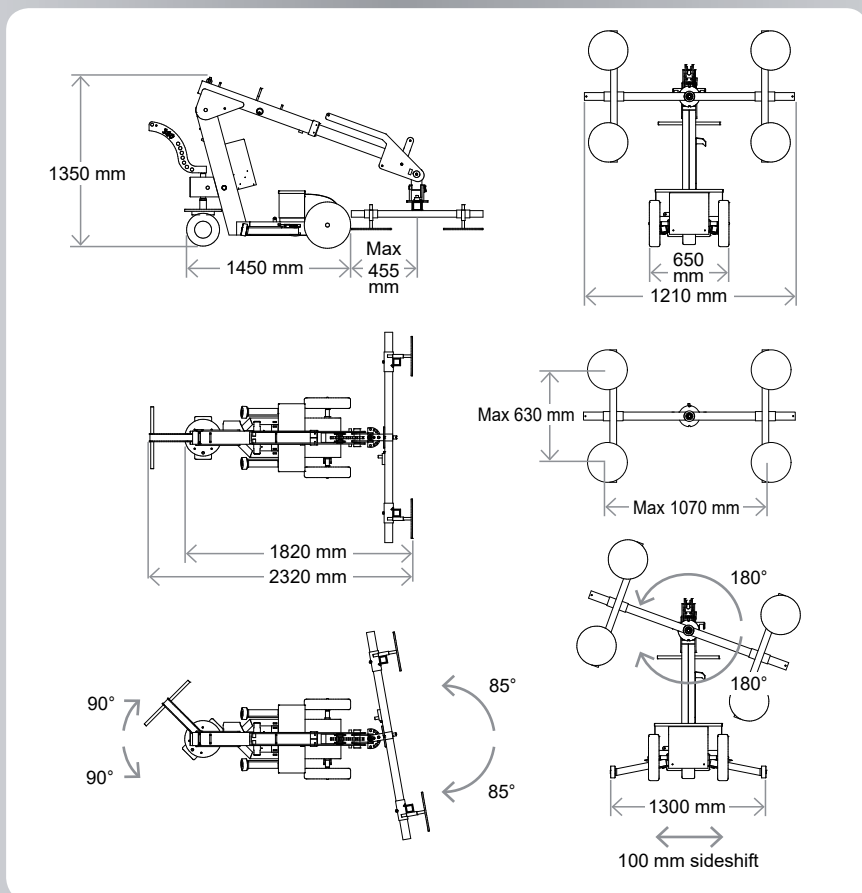
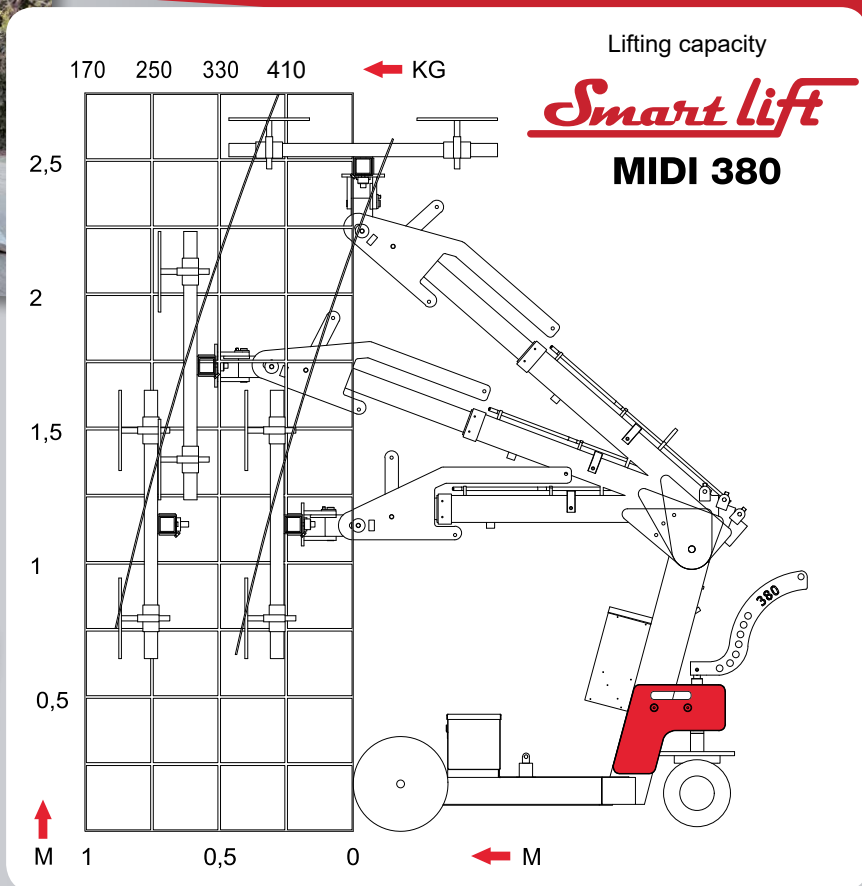
The SL 380 Midi can be shifted sideways up to 100 mm for precision adjustment during the window installation process.



The SL 380 Midi is fitted for window and glass installation as standard, but can be supplied with a special device for lifting, e.g. heavy fire doors and gates.

## Technical data

| Description               | Value                   |
|---------------------------|-------------------------|
| Weight                    | 570 kg                  |
| Height                    | 1350 mm                 |
| Width (min)               | 650 mm                  |
| Length (min)              | 1820 mm                 |
| Extension of arm          | 500 mm                  |
| Tip from horizontal       | 45° back / 105° forward |
| Sideshift                 | 100 mm                  |
| Charging voltage          | 230 volt                |
| Integrated charger        | Cetek XT 14000          |
| Charging time             | Approx 8 hours          |
| Battery (2 x 12v) 24 volt | 2 x 60 A                |
| Running period            | Approx 30 hours         |
| Rear-wheel drive          | 700 Watt                |
| Suction pads              | 4 unit Ø 300 mm         |



N.A. Christensensvej 39  
 DK-7900 Nykøbing Mors  
 Tel.: +45 97 72 29 11  
 E-mail: smart@smartlift.dk  
 www.smartlift.dk